

DESCRIPTION

- Metal construction with chrome plated or LifeShine® polished brass, antique brass or glacier finish
- Maximum deck thickness after rough-in 3-1/4"
- The tub fill spout is a slip fit design and the supplies are 1/2" copper tubing.

OPERATION

- Lever style handles with interchangeable inserts.
- Hot side counterclockwise to open (clockwise to close)
- cold side clockwise to open (counterclockwise to close)

FLOW

- Designed to deliver 18 gpm at 40 psi.

CARTRIDGE

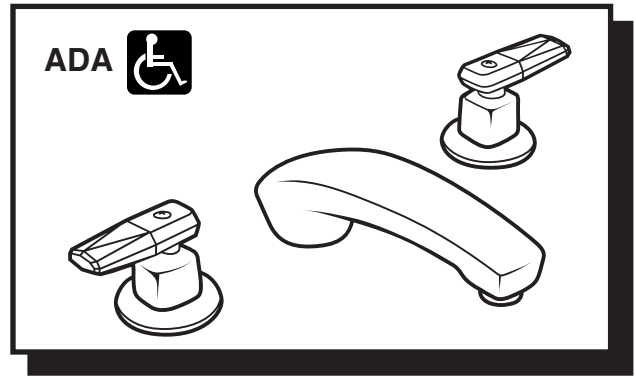
- Nonmetallic/nonferrous and stainless steel materials

STANDARDS

- Third party certified by CSA to meet CSA B-125, ASME A112.18.1M and all applicable requirements referenced therein and complies with the applicable requirements of ANSI A117.1

WARRANTY

- Lifetime limited warranty against leaks, drips and finish defects to the original consumer purchaser
- 5 year warranty if used in commercial installations



CHATEAU®

Two-Handle Roman Tub Trim Kit

Specify with model 64999 rough-in valve

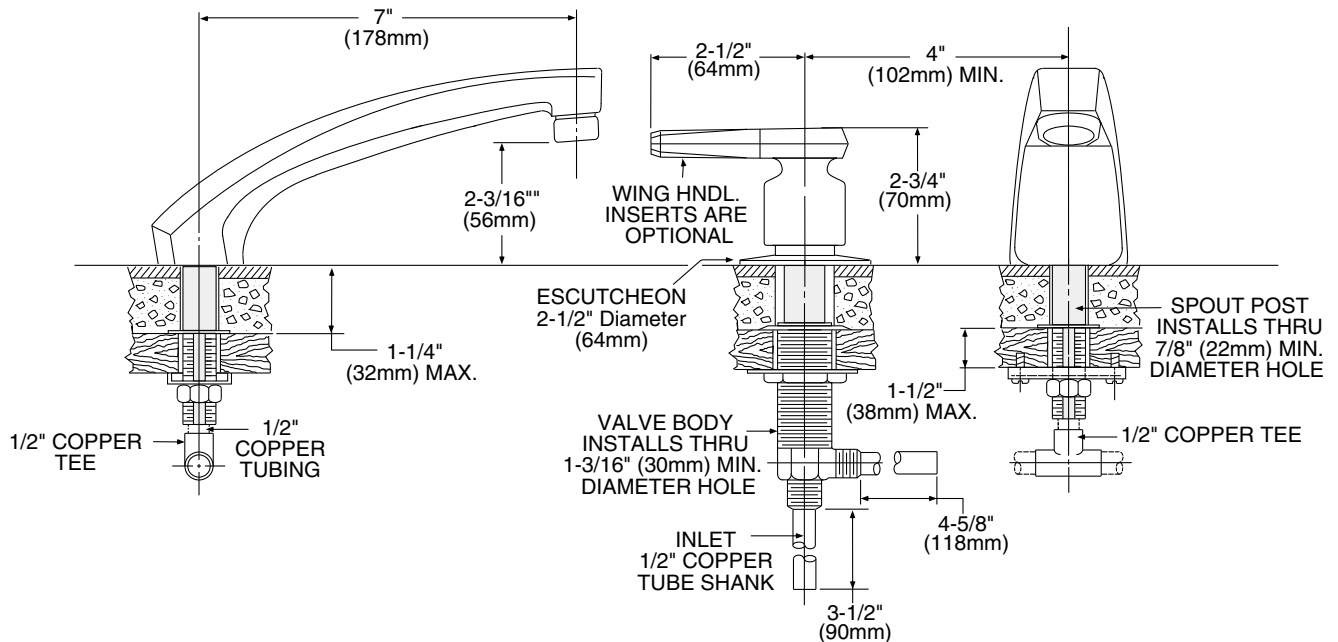
Models: *T998, *T998P, *T998W,
*T993

(Bulk packed 6 per carton)

*T993, T998W Discontinued 2/1/2000

*T998, T998P Discontinued 2/1/2004

NOTE: T998 replaced with T990



NOTE: THE INSTALLATION SHOWN IS FOR TILE DECKS, THIS VALVE WILL ALSO FIT STEEL, CAST IRON OR PLASTIC DECKS

CRITICAL DIMENSIONS

(DO NOT SCALE)