

DESCRIPTION

- Metal construction with a chrome plated, Platinum, LifeShine® Polished Brass, Satine™, Classic Gold, or Nickel finish. Ceramic construction with Pebbled Cream or Seaspray finish.
- 1/2" IPS connections
- Includes metal pop-up type waste assembly on T6500 series models
- Includes 50/50 pop-up type waste assembly on 80000 series models

OPERATION

- Lever style handles
- Hot side counterclockwise to open (clockwise to close)
- Cold side clockwise to open (counterclockwise to close)

FLOW

- Aerator is limited to 2.2 gpm (8.3 L/min)

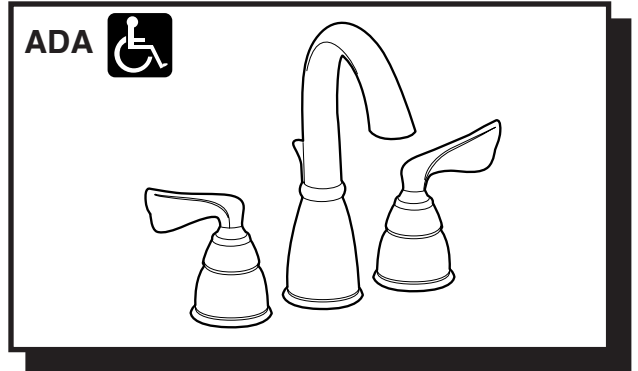
STANDARDS

- Third party certified by CSA and IAPMO to meet ASME A112.18.1M and all applicable requirements referenced therein and complies with the applicable requirements of ANSI A117.1
- Certified to ANSI/NSF 61/9
- Complies with California Proposition 65 and with the Federal Safe Water Drinking Act

WARRANTY

- Lifetime limited warranty against leaks, drips and finish defects to the original consumer purchaser
- 5 year warranty if used in commercial installations

NOTE: SPOUT INSTALLS THROUGH 1" MIN. DIA. HOLE. VALVES INSTALL THROUGH 1-1/8" MIN. DIA. HOLE



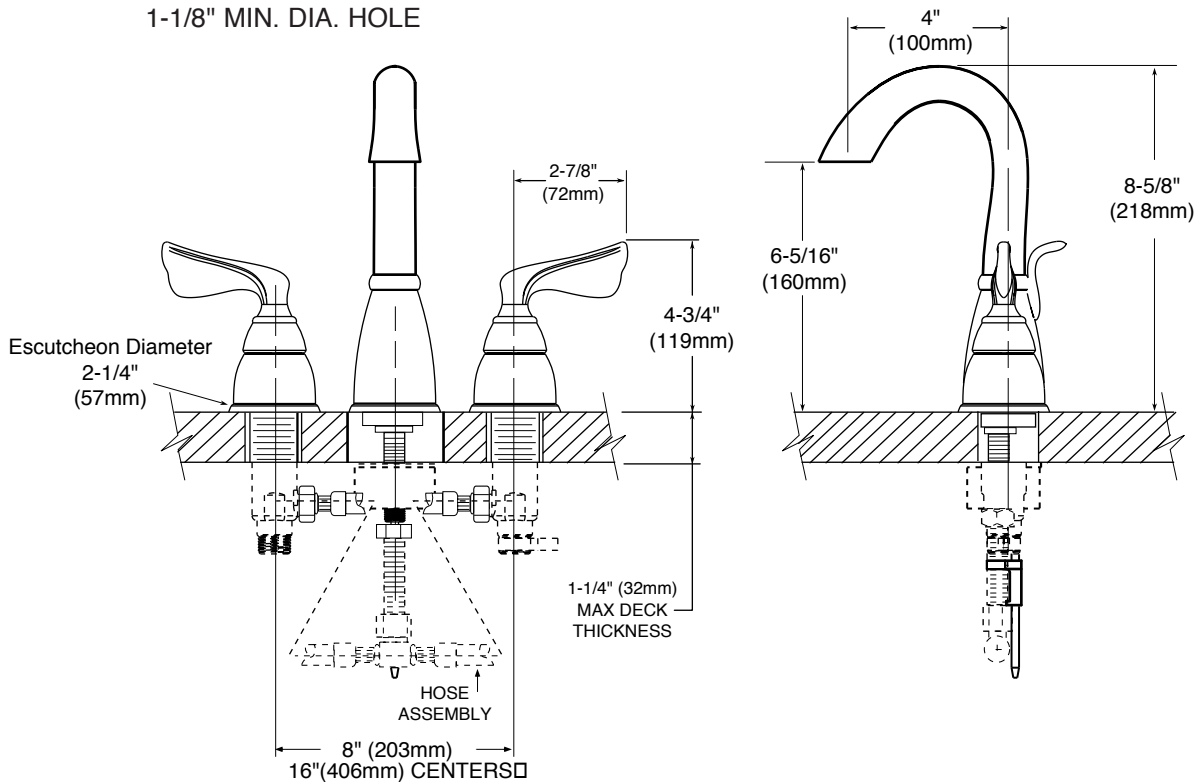
ASCERI™ COLLECTION Two-Handle Widespread Lavatory Faucet Trim

Models: T6515, T6515CP, T6515CPM, T6515STV, T6515NLBL, T6515CGSA, T6515CGPC, 84824, 84824CP, 84824CPM, 84824NLBL

Valve: 9000, 69000

NOTE: See reverse side for illustrated parts

NOTE: For deck thickness 1-3/8" - 3", use service kit # 115001. Valves install through 1-1/4" dia. hole.



CRITICAL DIMENSIONS

(DO NOT SCALE)