

DESCRIPTION

- Metal and plastic construction with chrome plated, Platinum, Glacier or LifeShine® Polished Brass finish
- 1/2" IPS connections
- Includes metal pop-up type waste assembly on 4000 series models
- Includes 50/50 pop-up type waste assembly on 80000 series models

OPERATION

- Clear lever style handles
- Maximum handle rotation angle is 90° to full on for either handle. Rotate Hot side, counterclockwise to open (clockwise to close). Rotate Cold side, clockwise to open (counterclockwise to close)
- Includes hot (red) and cold (blue) temperature indicators

FLOW

- Aerator is limited to 2.2 gpm (8.3 L/min)

CARTRIDGE

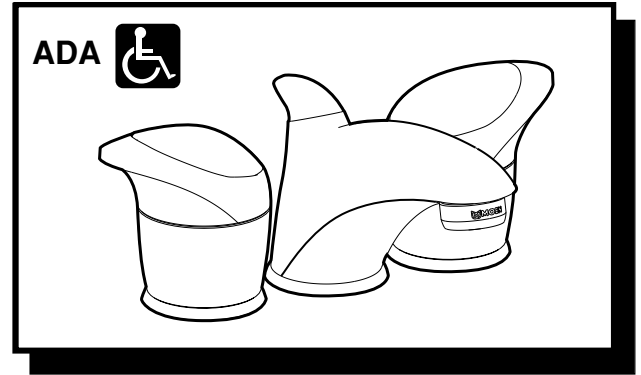
- 1224 cartridge design
- Nonmetallic and stainless steel material

STANDARDS

- Third party certified to CSA B-125, ASME A112.18.1M, ANSI A117.1 and all applicable requirements referenced therein
- Certified to ANSI/NSF 61/9
- Complies with California Proposition 65 and with the Federal Safe Water Drinking Act

WARRANTY

- Lifetime limited warranty against leaks, drips and finish defects to the original consumer purchaser
- 5 year warranty if used in commercial installations



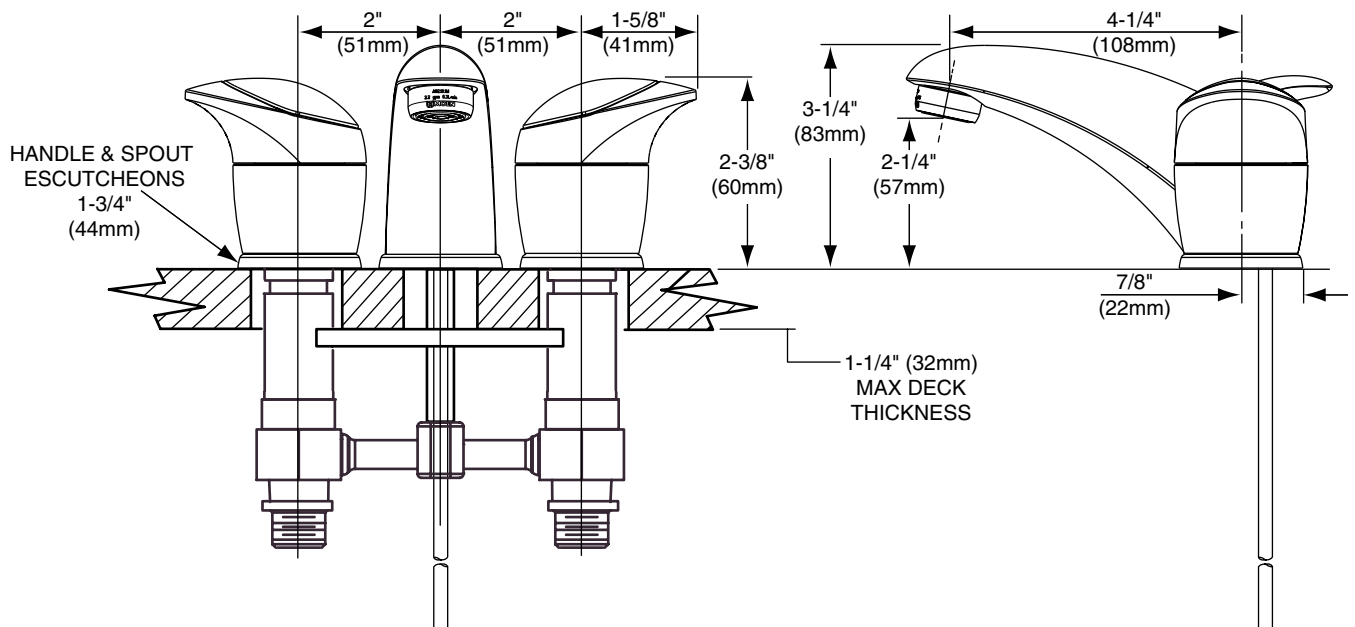
Villeta™
Two-Handle Lavatory Faucet
with Metal Waste Assembly

Models: T4734, T4734CP, T4734PM, T4734W

Valve: 9300, 69300

**NOTE: See reverse side
for illustrated parts and handle options**

**NOTE: THIS FAUCET IS DESIGNED TO BE
INSTALLED THRU 3 HOLES,
1-1/8" (29mm) MIN. DIA.**



CRITICAL DIMENSIONS

(DO NOT SCALE)