



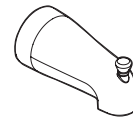
A Moen Incorporated Brand

Baystone™



UPC®

Models:
T42311C series
T42315C series



Trim for Pressure Balancing Cycling In-Wall Valve

DESCRIPTION

- Metal construction with various finishes identified by suffix
- T42315C – Shower only trim
- T42311C – Tub/Shower trim with zinc slip fit diverter tub spout
- Twelve (12) individual boxes per master carton

OPERATION

- Rotating style metal lever handle
- Temperature control by 150° arc
- Will operate with less than 5 lbs. of torque
- Metal escutcheon features back printed polycarbonate overlay with red/blue temperature marking
- Protective rubber gaskets surround interior and exterior rim
- Weep hole located at bottom of escutcheon
- Slip fit tub spout connects to 1/2" pipe with bottom 5/32" set screw

FLOW

- Showerhead limited to 2.5 gpm max (9.5 L/min) at 80 psi

STANDARDS

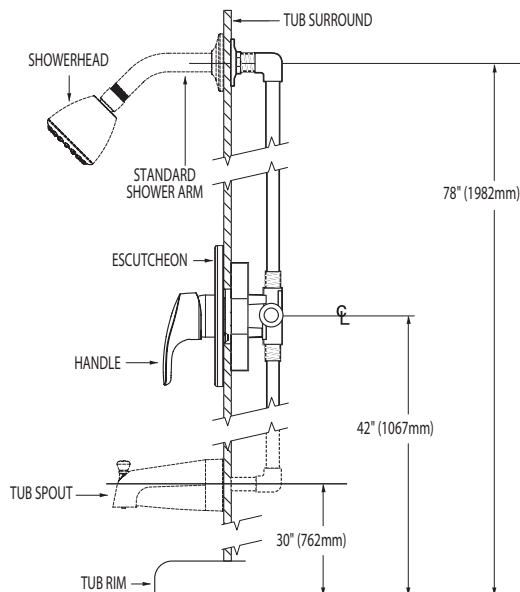
- Third party certified to CSA B-125.1, ASME A112.18.1, IAPMO and all applicable requirements referenced therein
- ADA for lever handle

WARRANTY – RESIDENTIAL, COMMERCIAL

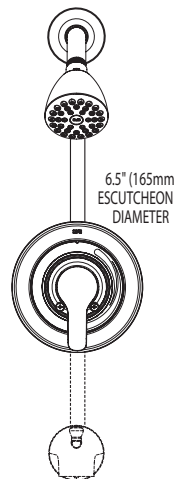
- Ten year limited warranty against defects in materials and manufacturing workmanship
- Refer to the installation instructions enclosed with each CFG product or call 1-888-450-4910 for complete warranty information

IN-WALL VALVE SOLD SEPARATELY

- 45311 CC/Male IPS with stops
- 45312 CC/Male IPS
- 45317 Female IPS with stops
- 45318 Female IPS
- 45319 PEX connections
- 45320 PEX connections with stops
- 45321 CPVC with stops
- 45322 CPVC

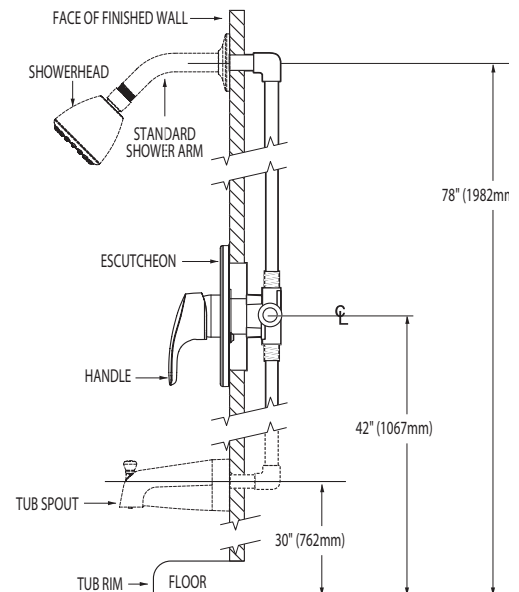


THIN WALL



CRITICAL DIMENSIONS

(DO NOT SCALE)



THICK WALL