

DESCRIPTION

- Metal construction with a chrome plated, decorative glacier, LifeShine® polished brass, Platinum, Black Opal™, Classic Gold, Satine™ or Nickel finish
- Includes adjustable showerhead, arm, flange and diverter spout

OPERATION

- Lever style handle with temperature indicator on the escutcheon, pull-on/push-off operation
- Temperature operates through an 180° arc of handle travel (full cold to full hot)
- Adjustable temperature limit stop to control maximum hot water temperature
- Pressure balancing mechanism maintains selected discharge temperature to $\pm 2^\circ$.

FLOW

- Showerhead is limited to 2.5 gpm (9.5 L/min)

CARTRIDGE

- 1225 cartridge design
- Nonmetallic/nonferrous and stainless steel materials
- Accommodates back to back installations

STANDARDS

- Third party certified by CSA to meet CSA B-125, ASME A112.18.1M and all applicable requirements referenced therein and complies with the applicable requirements of ANSI A117.1

WARRANTY

- Lifetime limited warranty against leaks, drips and finish defects to the original consumer purchaser
- 5 year warranty if used in commercial installations



MONTICELLO® INSPIRATIONS™ MOENTROL®

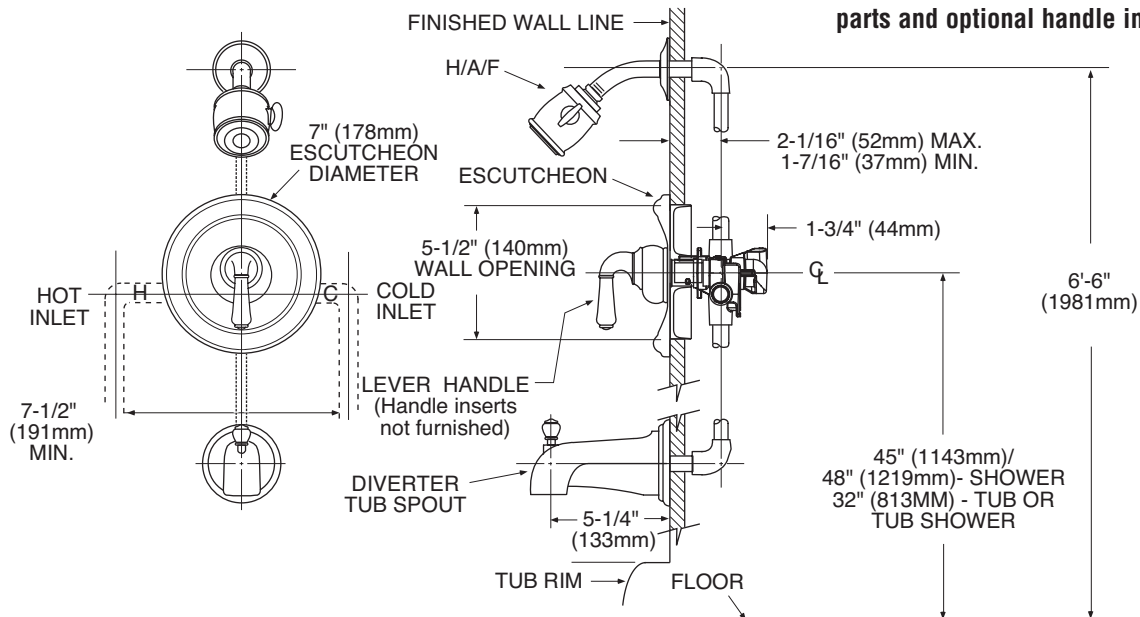
Single-Handle Pressure Balancing Tub/Shower (Trim Only)

Models: T3127, T3127CP, T3127P, T3127W,
(Bulk packed 12 per carton)

RT3127P/AT2099P, RT3127PM/AT2099PM,
RT3127BP/AT2099BP, RT3127CG/AT2099CG,
RT3127ST/AT2099ST, RT3127NL/AT2099NL
(Packed 1 per carton)

T3129, T3129CP, T3129P, T3129PM,
T3129PMC, T3129ST, T3129STP, T3129W
(Packed 1 per carton)

NOTE: See reverse side for illustrated parts and optional handle inserts



CRITICAL DIMENSIONS

(DO NOT SCALE)



ADA symbol applies to shower valve control only.