

Home Care Technical Specification

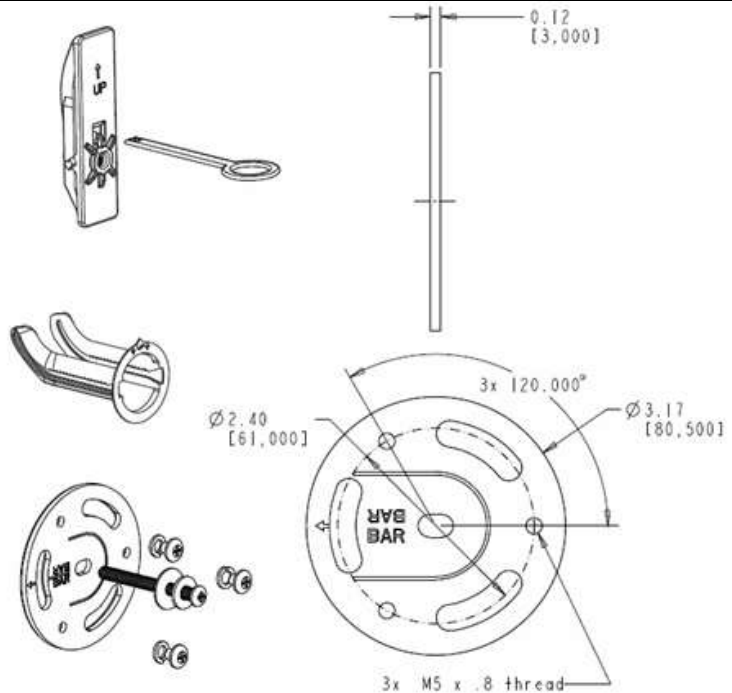
SecureMount Anchor

SMA1002CH

Stock Numbers:

- **SMA1002CH –SecureMount Anchors**
Chrome Finish
2 Anchors

Dimensions:



Materials:

SecureMount Anchor mounting plate is made of aluminum.

SecureMount Anchor guide and anchor are made of POM.

Compliance:

- CSI SecureMount Anchors meet or exceed the applicable requirements of the following standards:
ADA
ANSI A117.1
ASTM F446
CSA B45
CSA B651
- For use only when securely installed in approved substrates* for persons **no more than 300lbs.**

*Requires a 3 1/2" space behind the wall and works in the following substrates

- 1/2" or 5/8" Dry Wall
- 1/2" or 5/8" Dry Wall with Tile
- 1/2" or 5/8" Dry Wall with Marble
- 1/8" or 1/4" Fiberglass Tub Surround

Installation Instructions:

Direction for w all mounting installation:

1. Position grab bar on w all in desired location and mark around the outside of the flanges.
2. One at a time, center the mounting plate w ithin the marked flanges, and mark the center hole for drilling.
3. Drill one 1 1/4" hole at each mounting location.
4. Insert guide sleeves into each hole in the w all. (Note: UP indicator must alw ays point up regardless of grab bar orientation)
5. Connect pull tab to the secure mount anchor.
6. With pull tab up, insert the anchor all the w ay into the hole in the w all.
7. Pull back on the pull tab, and disconnect it from the anchor.
8. Place mounting plate over the hole and secure w ith the anchor screw, and flat and rubber w ashers. (Note: Bar indicators should be facing in, align arrows)
9. Align the grab bar flanges to the secure mount anchor and secure w ith flange screws and split lock w asher.

Directions for stud mounting installation:

1. Position grab bar on w all in desired location and mark around the outside of the flanges.
2. Determine stud center and drill one 1/8" pilot hole at each location.
3. Install w ood screw supplied with grab bar.
4. Install the 3 additional w ood screws through the grab bar flange into the elongated mounting plate slots.

Stock Number: _____ **SecureMount Anchor**
By Creative Specialties

25300 AL MOEN DRIVE • NORTH OLMSTED, OH 44070
CORPORATE HEADQUARTERS: (800) 321-8809 • FAX: (800) 848-6636
INTERNATIONAL: (440) 962-2000 • FAX: (440) 962-2726
CUSTOMER SERVICE (USA): 800-882-0116 • FAX: (888) 379-2720
WWW.MOEN.COM

©Copyright Creative SpecialtiesInternational

Literature #BA1387