



Buy it for looks. Buy it for life.®

Specifications

DESCRIPTION

- Metal construction with various finishes identified by suffix
- Cycle valve design
- 1/2" CC connections
- Inlets and outlets on same plane
- Supplied with vandal resistant screws


OPERATION

- Lever style handle with function indicators on the escutcheon
- Detents at each flow position
- Rotary 360° handle operation
- Valve operates 3 distinct functions but can be plumbed for 2 distinct functions

CARTRIDGE

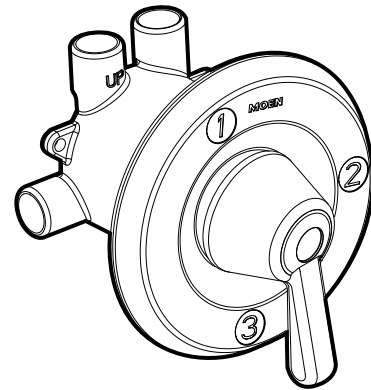
- Ceramic disk cartridge

STANDARDS

- Third party certified to ASME A112.18.1/CSA B-125.1 and all applicable specifications referenced therein
- ADA  for lever handle

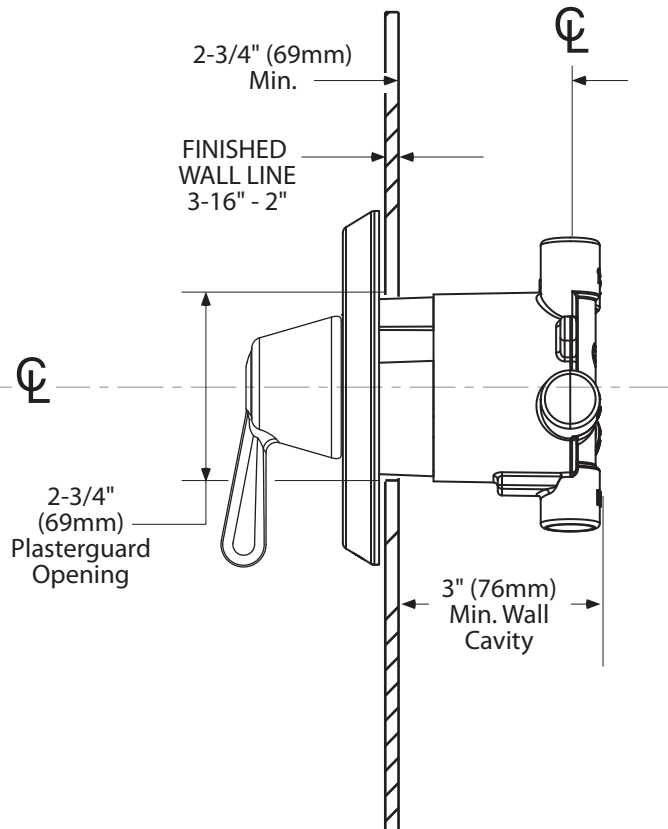
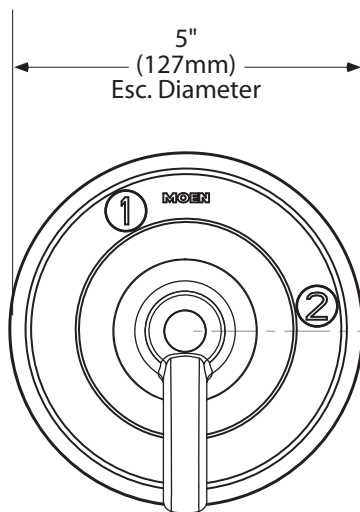
WARRANTY

- Warranted for 5 years against material or manufacturing defects



Three-Function Transfer Valve

Model: SF8360 series



NOTE: This valve is not intended to be used as a shut-off valve. To prevent the potential of cross flow, check valves must be integral to the supply valve or installed in both hot and cold water supply lines.

CRITICAL DIMENSIONS

(DO NOT SCALE)

FOR MORE INFORMATION CALL: 1-800-BUY-MOEN

www.moen.com