

DESCRIPTION

- Chrome plated metal construction with LifeShine® polished brass, platinum or glacier finish
- 1/2" supplies
- Includes metal pop-up waste assembly

OPERATION

- Pivot action lever style handle
- Temperature controlled through 180° degree arc of handle travel

FLOW

- Aerator is limited to 2.2 gpm (8.3 L/min)

CARTRIDGE

- 1225 cartridge design
- Nonmetallic/nonferrous and stainless steel material
- Can accommodate reversed piping and back to back installations

STANDARDS

- Third party certified by CSA to meet CSA B-125, ASME A112.18.1M and all applicable requirements referenced therein and complies with the applicable requirements of ANSI A117.1
- Certified to ANSI/NSF 61/9
- Complies with California Proposition 65 and with the Federal Safe Water Drinking Act

WARRANTY

- Lifetime limited warranty against leaks, drips and finish defects to the original consumer purchaser
- 5 year warranty if used in commercial installations

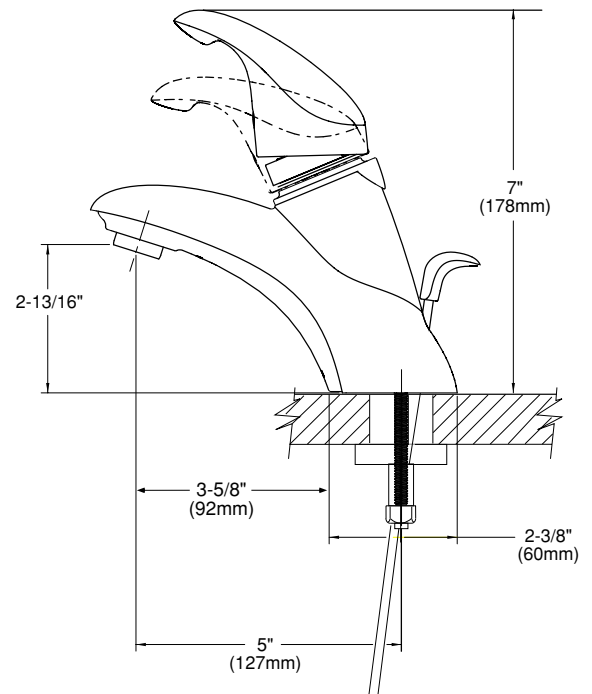
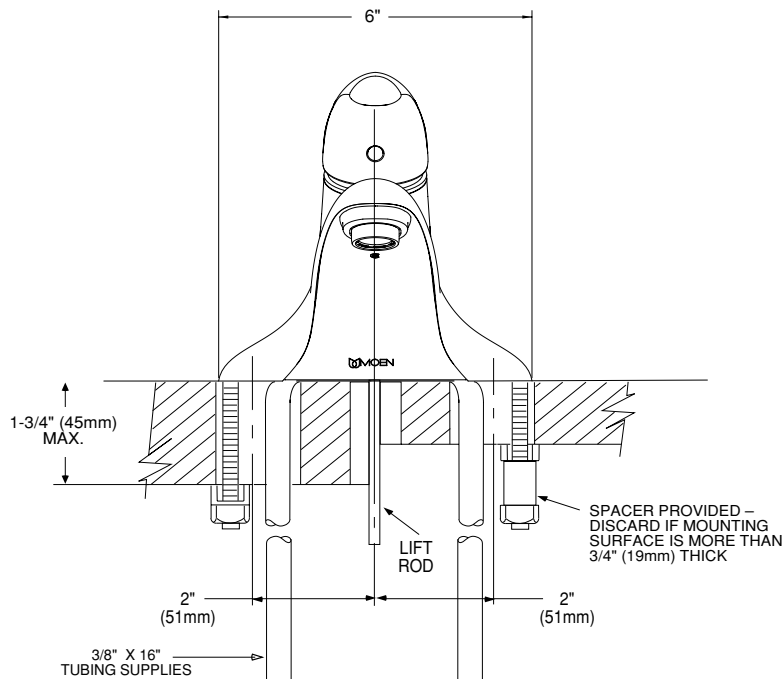


Villeta™ Single-Handle Lavatory Faucet with Metal Waste Assembly

**Model: L4725, L4725CP, L4725P,
L4725PM, L4725W**

**NOTE: See reverse side
for illustrated parts**

**NOTE: THIS FAUCET IS DESIGNED TO BE
INSTALLED THRU 3-1" DIA. HOLES, 4" ON
CENTER**



CRITICAL DIMENSIONS

(DO NOT SCALE)