

DESCRIPTION

- Metal and plastic construction with chrome plated, glacier, LifeShine® polished brass, Satine or Platinum finish
- 1/2" IPS connections
- Includes metal pop-up type waste assembly

OPERATION

- Metallic lever style handles
- Maximum handle rotation angle is 90° to full on for either handle
- Rotate hot side counterclockwise to open (clockwise to close)
- Rotate cold side clockwise to open (counterclockwise to close)
- Includes hot (red) and cold (blue) temperature indicators

FLOW

- Aerator is limited to 2.2 gpm max (8.3 L/min)

CARTRIDGE

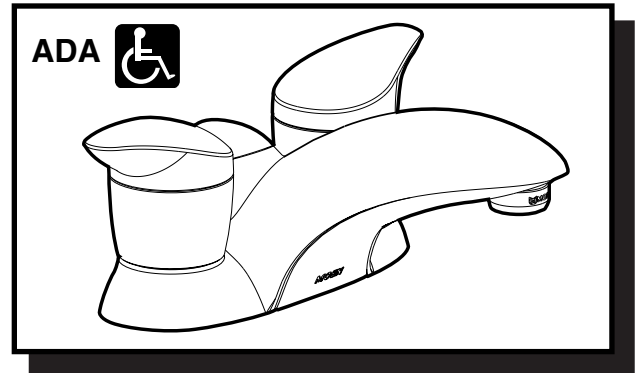
- 1224 cartridge design
- Nonmetallic and stainless steel material

STANDARDS

- Third party certified to CSA and B125, ASME A112.18.1M, ANSI A117.1, and all applicable requirements referenced therein
- Certified to ANSI/NSF 61/9
- Complies with California Proposition 65 and with the Federal Safe Water Drinking Act

WARRANTY

- Lifetime limited warranty against leaks, drips and finish defects to the original consumer purchaser
- 5 year warranty if used in commercial installations



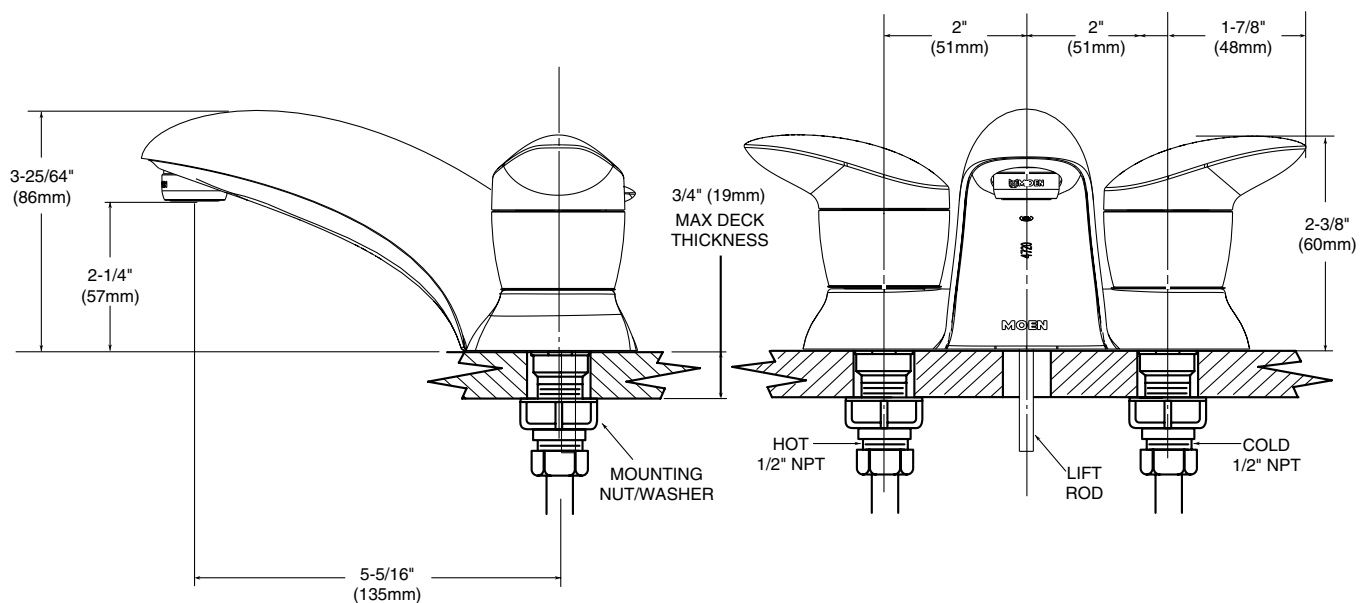
VILLETA™
4" Lavatory Faucet
with Metal Waste Assembly

**Models: L4720, L4720CP,
 L4720P, L4720PM, L4720W, L4720ST**

**Retail: L84720, L84720CP,
 L84720PM, L84720ST**

**NOTE: See reverse side
 for illustrated parts and handle options**

**NOTE: THIS FAUCET IS DESIGNED TO BE
 INSTALLED THRU 3 HOLES, 1" MIN. DIA.**



CRITICAL DIMENSIONS

(DO NOT SCALE)