

DESCRIPTION

- Chrome plated metal construction
- Pressure balancing valve design with integral check stops, 1/2" IPS connections
- Supplied with adjustable temperature limit stop
- Includes showerhead, arm and flange and diverter spout

OPERATION

- Pivot action lever style handle
- Temperature operates through an 180° arc of handle travel (full cold to full hot)
- Pressure balancing mechanism maintains selected discharge temperature to $\pm 2^\circ$

FLOW

- Showerhead is limited to 2.5 gpm (9.5 L/min)

CARTRIDGE

- 1225 cartridge design
- Nonmetallic/nonferrous and stainless steel materials
- Accommodates back to back installations

STANDARDS

- Third party certified by CSA to meet CSA B-125, ASME A112.18.1M and all applicable requirements referenced therein and complies with the applicable requirements of ANSI A117.1

WARRANTY

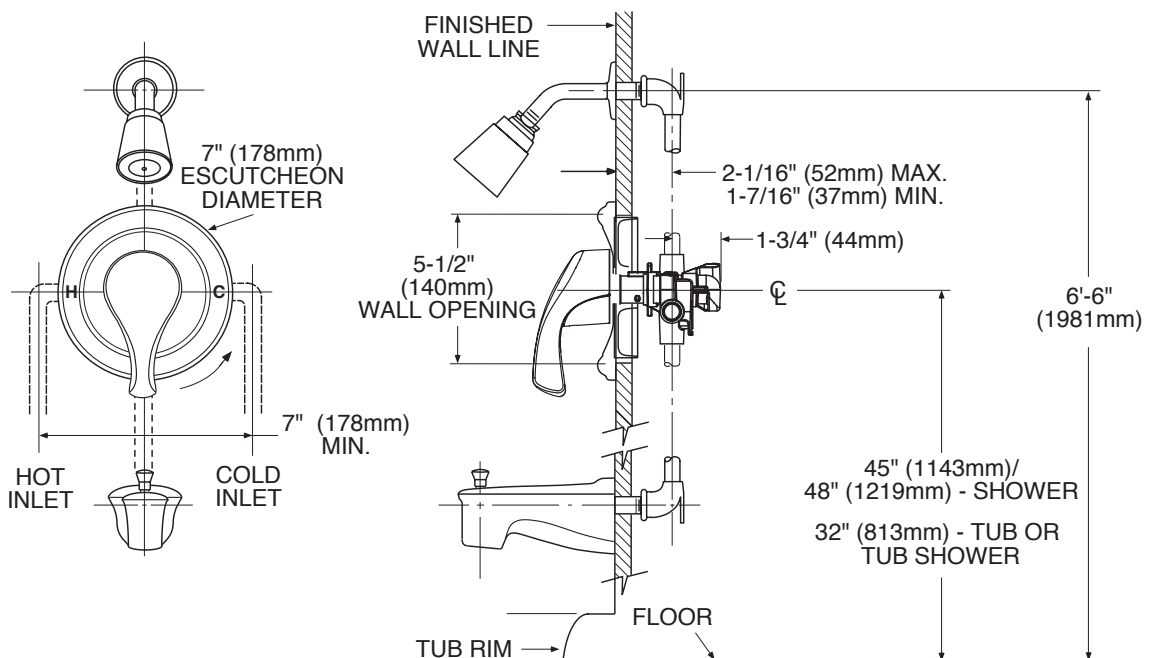
- Lifetime limited warranty against leaks, drips and finish defects to the original consumer purchaser
- 5 year warranty if used in commercial installations



LEGEND® MOENTROL®
Single-Handle Tub/Shower Valve

Model: L3169

NOTE: See reverse side for illustrated parts



ADA symbol applies to shower valve control only.