

## DESCRIPTION

- Chrome plated metal construction
- 1/2" CC connections
- Includes showerhead, arm and flange
- Supplied with adjustable temperature limit stop

## OPERATION

- Pivot action lever style handle
- Temperature operates through an 180° arc of handle travel (full cold to full hot)

## FLOW

- Showerhead is limited to 2.5 gpm (9.5 L/min)

## CARTRIDGE

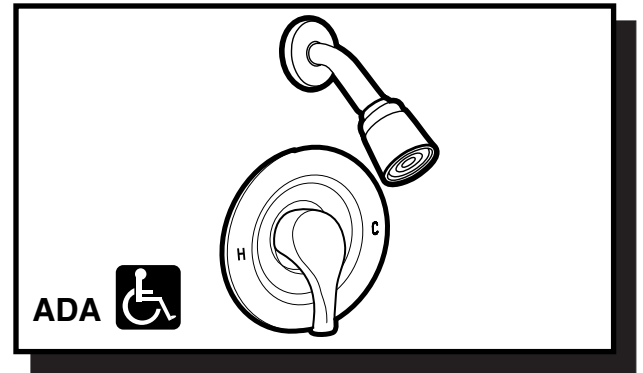
- 1225 cartridge design
- Nonmetallic/nonferrous and stainless steel materials
- Accommodates back to back installations

## STANDARDS

- Third party certified by CSA to meet CSA B-125, ASME A112.18.1M and all applicable requirements referenced therein and complies with the applicable requirements of ANSI A117.1

## WARRANTY

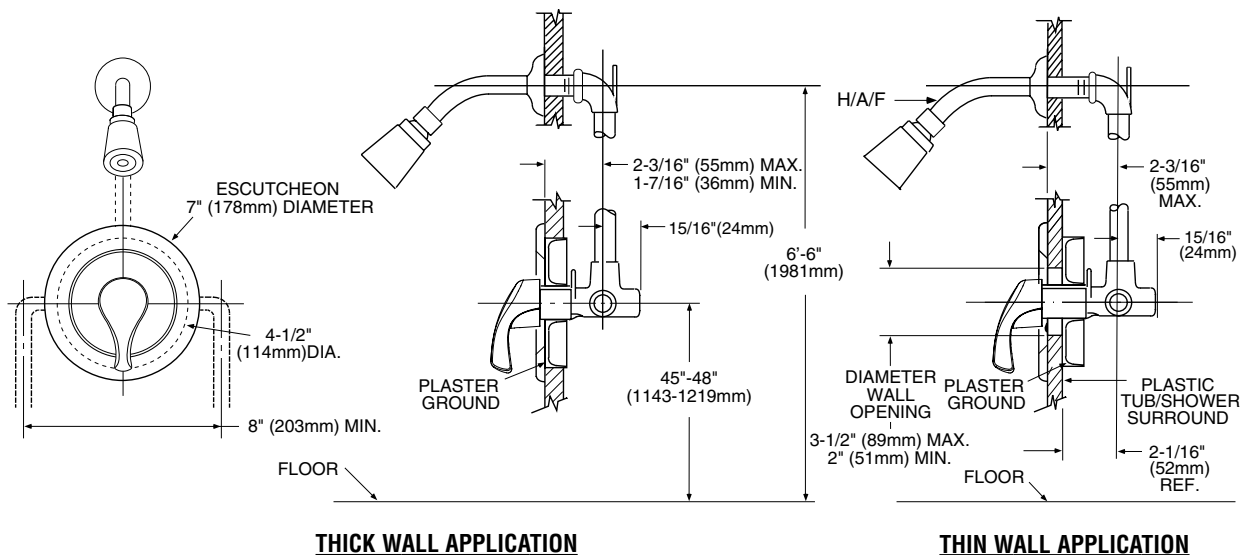
- Lifetime limited warranty against leaks, drips and finish defects to the original consumer purchaser
- 5 year warranty if used in commercial installations



## CHATEAU® Single-Handle Shower Valve

Model: L2625

**NOTE: See reverse side for illustrated parts**



## CRITICAL DIMENSIONS

(DO NOT SCALE)



ADA symbol applies to shower valve control only.