



Buy it for looks. Buy it for life.®

Specifications

Model Number	Faucet Holes	Depth-Inches	Drain Placement
G182114Q	4	9"	Center
G182133Q <i>(pictured)</i>	3	8"	Center
G182134Q	4	8"	Center
G182154Q	4	7"	Center



SINK DESCRIPTION

- 1800 Series double bowl drop in sink
- 18 gauge stainless steel, brushed finish
- U-channel mounting system
- QuickMount™ installation hardware included
- SoundSHIELD™ sound absorbing system

WARRANTY

- Lifetime limited warranty to the original homeowner
- 10 year limited warranty when used in a Multi-family installation
- 5 year limited warranty when used in a Commercial installation
- Visit www.moen.com/customer-support/warranty for complete details and limitations

SINK DIMENSIONS

- Overall: 33" x 22"
- Left Bowl: 14" x 16"
- Right Bowl: 14" x 16"
- Drain Size: 3-1/2"

CUT OUT DIMENSIONS

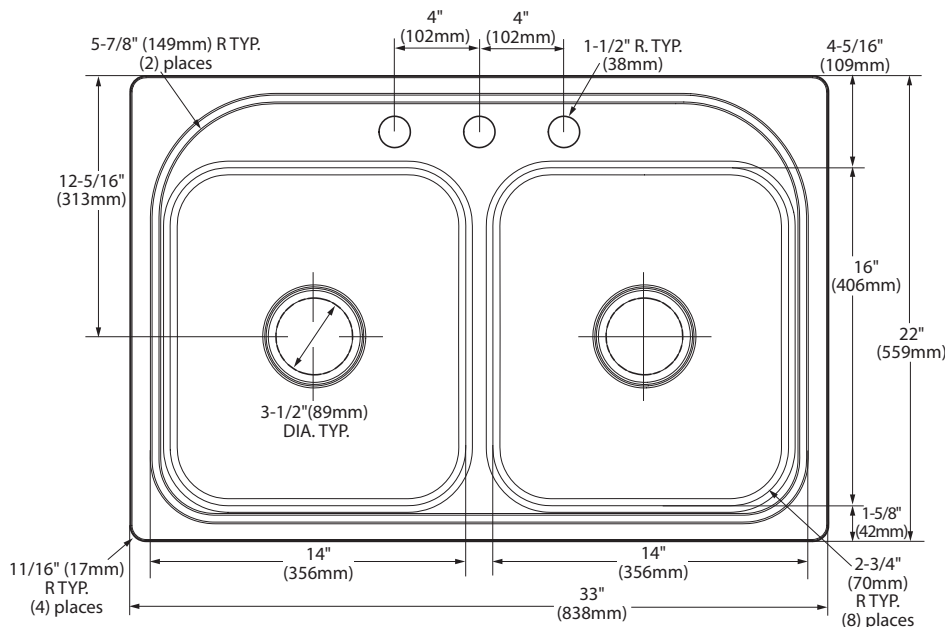
- 32-1/2" x 21-1/2" with 3/8" corner radius. Tolerance of plus or minus 1/16" is acceptable

STANDARDS

- Third party certified to meet ASME A112.19.3/CSA B45.4 and all applicable specifications referenced therein

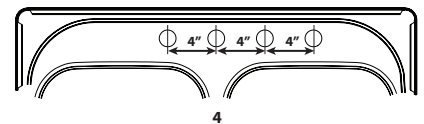
CRITICAL DIMENSIONS

(DO NOT SCALE)

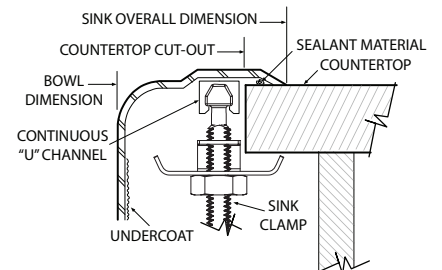


Faucet Hole Configurations

1-1/2" (38mm) diameter faucet holes
4" (102mm) Center



Installation Detail



MADE IN THE USA