

Wembley® Technical Specification

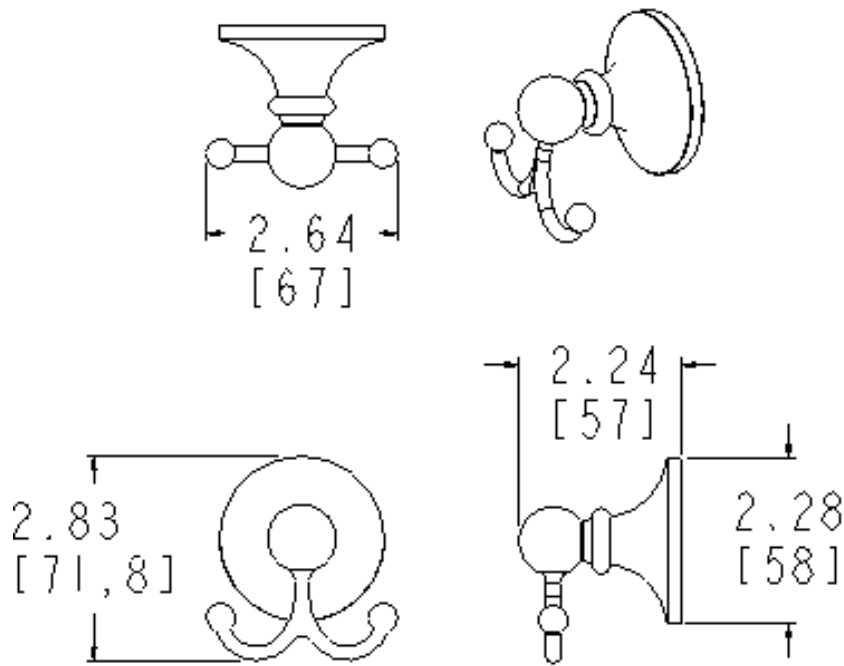
Robe Hook

DN8203

Stock Numbers:

- DN8203BN – Robe Hook
Brushed Nickel Finish

Dimensions:



Materials:

Robe Hook is constructed of zinc.

Installation Instructions:

1. Remove mounting post from product assembly by loosening the setscrew.
2. Position the mounting post on the wall at desired location with notch facing downward, and mark both horizontal hole locations.
3. Drill 2 holes as marked using 5/16" drill bit.
4. Fold ends of the plastic toggle anchor together (see Figure 1) and insert into each hole in the wall.
5. Lightly tap anchors until flush with the wall.
6. One at a time, insert plastic pin into each anchor and lightly tap to activate anchor (see Figure 2). Remove pin and repeat on other anchor.
7. Place mounting post over anchors with notch facing downward, and insert screws through post into anchors.
8. Tighten screws.
9. Place assembly over the mounting post with setscrew facing down and tighten setscrew.

Cleaning Instructions:

To preserve the fine finish of this product, clean only with a soft damp cloth. Dry well. Do not use commercial or abrasive cleaners.

Stock Number: _____ Robe Hook
By Creative Specialties



25300 AL MOEN DRIVE • NORTH OLMSTED, OH 44070
CORPORATE HEADQUARTERS: (800) 321-8809 • FAX: (800) 848-6636
INTERNATIONAL: (440) 962-2000 • FAX: (440) 962-2726
CUSTOMER SERVICE (USA): 800-882-0116 • FAX: (888) 379-2720
WWW.MOEN.COM

©Copyright Creative Specialties International

Literature #BA1330