

# Blakeley™ Technical Specification

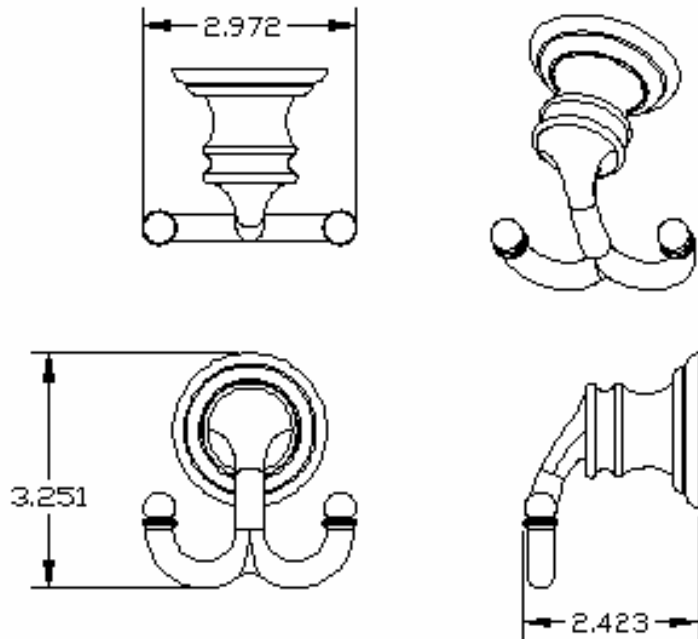
## Robe Hook

## DN1603

### Stock Numbers:

- q DN1603BN – Robe Hook  
Brushed Nickel Finish

### Dimensions:



### Materials:

Robe Hook is constructed of zinc.

### Installation Instructions:

1. Remove the mounting post by loosening the setscrew.
2. Position the mounting post on the wall at desired location, notch facing downward.
3. One at a time, place each anchor screw through the mounting post, centered in each large hole. Using a Phillips screwdriver, turn the anchor screw while applying pressure. Screw will self-drill and tap into drywall. Do not over-tighten.
4. Place assembly over the mounting post, setscrew facing down.
5. Tighten setscrew.

### Cleaning Instructions:

To preserve the fine finish of this product, clean only with a soft damp cloth. Dry well. Do not use commercial or abrasive cleaners.

**Stock Number:** \_\_\_\_\_ **Robe Hook**  
**By Creative Specialties**



25300 AL MOEN DRIVE • NORTH OLMS TED, OH 44070  
CORPORATE HEADQUARTERS: (800) 321-8809 • FAX: (800) 848-6636  
INTERNATIONAL: (440) 962-2000 • FAX: (440) 962-2726  
CUSTOMER SERVICE (USA): 800-882-0116 • FAX: (888) 379-2720

©Copyright Creative Specialties International 2004

Literature #BA1214