



Buy it for looks. Buy it for life.®

*There is more than 1 version of this model.  
Page down to identify the version you have.*

**FAUCET DESCRIPTION**

- Metal construction with various finishes identified by suffix
- Flexible supply lines with 3/8" compression fittings
- With side spray versions available
- Hydrolock® quick-connect installation

**OPERATION**

- Lever style handle
- Operates with less than 5 lbs. of force

**FLOW**

- Tap water: 2.2 gpm max (8.3 L/min)

**CARTRIDGE**

- 1255™ Duralast™ cartridge
- Nonmetallic/nonferrous and stainless steel material

**STANDARDS**

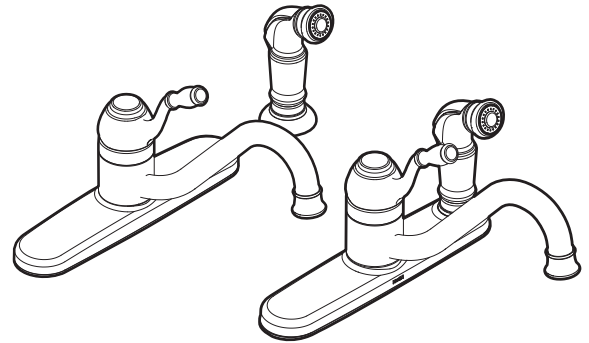
- Third party certified to CSA B-125.1, ASME A112.18.1 and all applicable requirements referenced therein
- Certified to ANSI/NSF 61/9
- Contains no more than 0.25% weighted average lead content
- Complies with California Proposition 65 and with the Federal Safe Drinking Water Act

- **ADA**  for lever handle

**WARRANTY**

- Lifetime limited warranty against leaks, drips and finish defects to the original consumer purchaser
- 5 year warranty if used in commercial installations

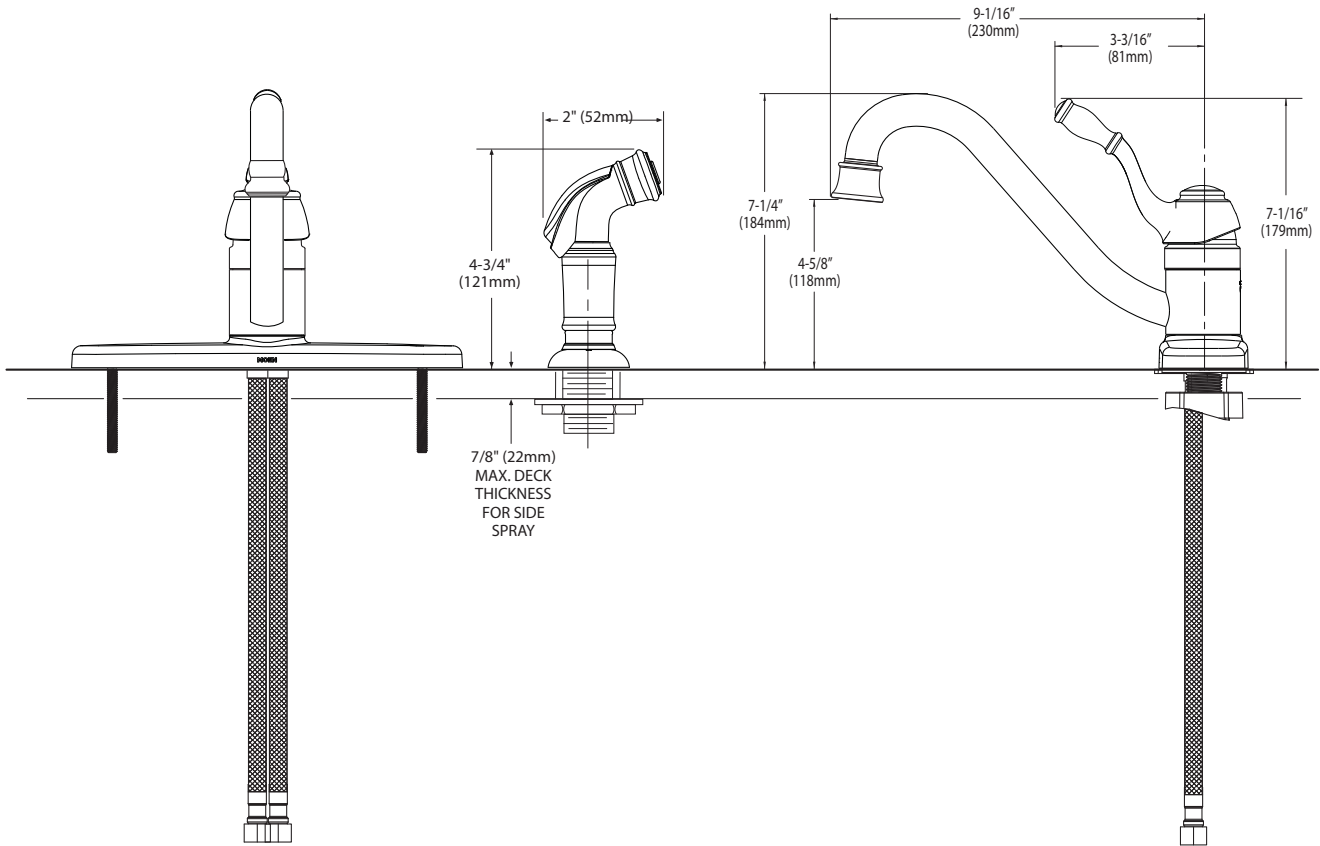
# Specifications



## Lindley™ Single Handle Lever Kitchen Faucet with Side Spray

**Models:** CA87009 series  
CA87019 series (spray in deck)

**NOTE:** DESIGNED TO BE INSTALLED THROUGH 3 HOLES  
1-1/4" (32mm) MIN. DIA. AND 4" (102mm) ON CENTER.



### CRITICAL DIMENSIONS

(DO NOT SCALE)

**FOR MORE INFORMATION CALL: 1-800-BUY-MOEN**

[www.moen.com](http://www.moen.com)



Buy it for looks. Buy it for life.®

# Specifications

## FAUCET DESCRIPTION

- Metal construction with various finishes identified by suffix
- Inlet shanks will accept 3/8" ball nose connections
- With side spray versions available
- Hydrolock® quick-connect installation

## OPERATION

- Lever style handle
- Operates with less than 5 lbs. of force

## FLOW

- Tap water: 2.2 gpm max (8.3 L/min)

## CARTRIDGE

- 4000 ceramic disc cartridge design
- Nonmetallic/nonferrous and stainless steel material

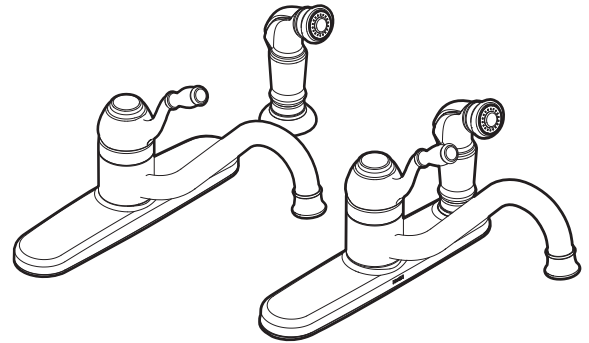
## STANDARDS

- Third party certified to CSA B-125.1, ASME A112.18.1 and all applicable requirements referenced therein
- Certified to ANSI/NSF 61/9
- Contains no more than 0.25% weighted average lead content
- Complies with California Proposition 65 and with the Federal Safe Drinking Water Act

- **ADA**  for lever handle

## WARRANTY

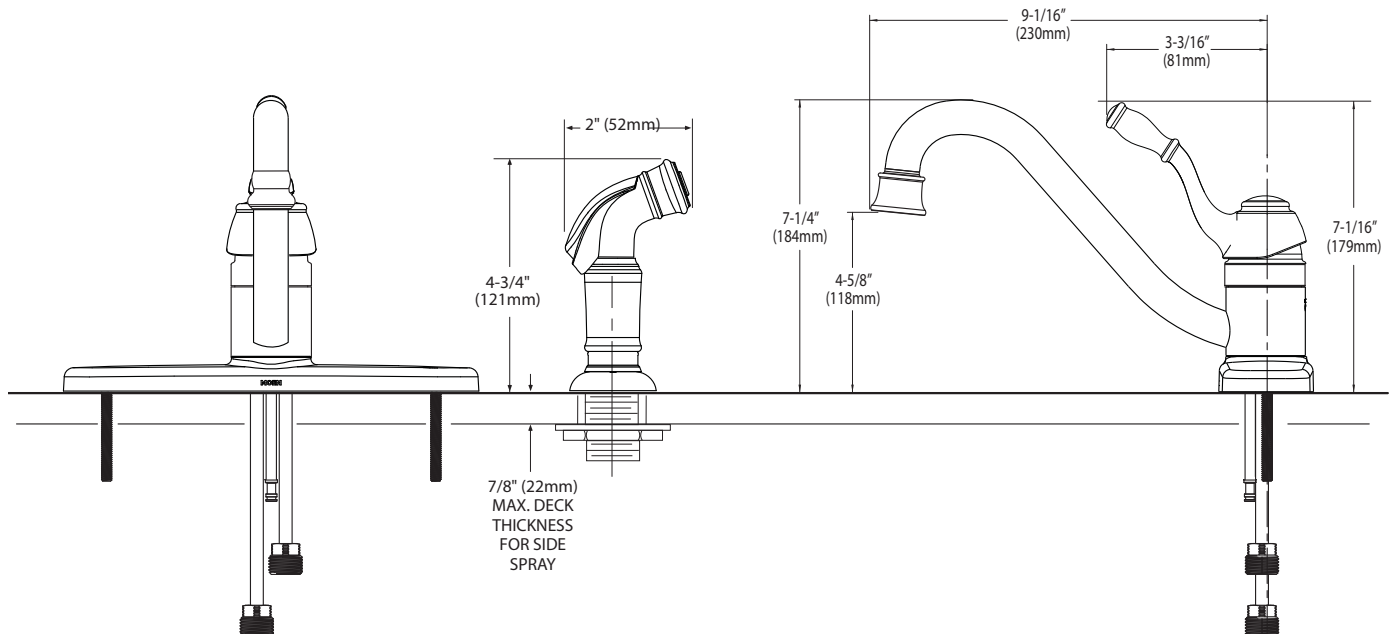
- Lifetime limited warranty against leaks, drips and finish defects to the original consumer purchaser
- 5 year warranty if used in commercial installations



## Lindley™ Single Handle Lever Kitchen Faucet with Side Spray

**Models:** CA87009 series  
CA87019 series (spray in deck)

**NOTE:** DESIGNED TO BE INSTALLED THROUGH 3 HOLES  
1-1/4" (32mm) MIN. DIA. AND 4" (102mm) ON CENTER.



## CRITICAL DIMENSIONS

(DO NOT SCALE)

FOR MORE INFORMATION CALL: 1-800-BUY-MOEN

[www.moen.com](http://www.moen.com)

Rev. 6/09

Hydrolock® is a registered trademark of COOPER STANDARD AUTOMOTIVE INC.

REVISED SPECIFICATIONS  
6/2009