



Buy it for looks. Buy it for life.®

# Specifications

## FAUCET DESCRIPTION

- Metal and plastic construction with various finishes identified by suffix
- 1/2" IPS connections
- Includes Protégé side spray
- Hydrolock® quick connect installation

## OPERATION

- Lever style chrome handles
- Maximum handle rotation angle is 90° to full on either handle
- Rotating hot side counterclockwise to open and clockwise to close
- Rotating cold side clockwise to open and counterclockwise to close
- Includes hot (red) and cold (blue) temperature indicators


## FLOW

- Aerator is limited to 2.2 gpm max (8.3 L/min)

## CARTRIDGE

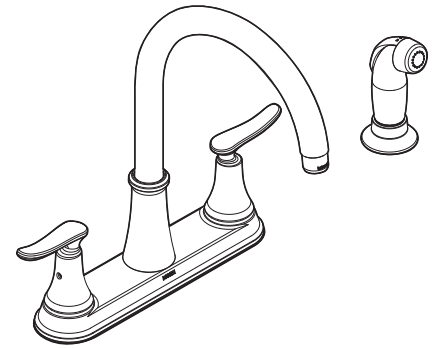
- 1224 cartridge design
- Nonmetallic and stainless material

## STANDARDS

- Third party certified to meet ASME A112.18.1/CSA B-125.1 and all applicable requirements referenced therein.
- Certified to ANSI/NSF 61/9
- Complies with California Proposition 65 and with Federal Safe Drinking Water Act
- **ADA**  for lever handles

## WARRANTY

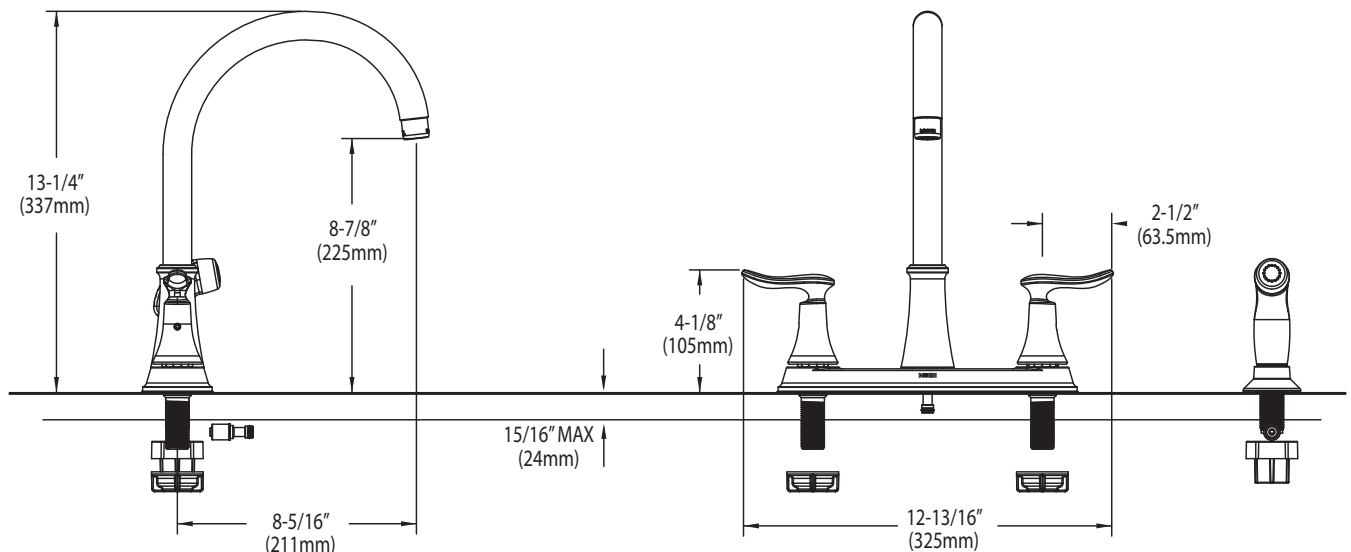
- Lifetime limited warranty against leaks, drips and finish defects to the original consumer purchaser
- 5 year warranty if used in commercial installations



## QUINN™ Two-Handle Lever Style Kitchen Faucet with Protégé Side Spray

**Models:** 87846 series  
Less spray: 87847 series

**NOTE:** DESIGNED TO INSTALL THROUGH 4 HOLES  
1-1/4" (32mm) MIN. DIA. AND 4" (102mm) ON CENTER.



## CRITICAL DIMENSIONS

(DO NOT SCALE)