



Buy it for looks. Buy it for life.®

FAUCET DESCRIPTION

- Metal construction with chrome plated or LifeShine® stainless finish
- Inlet shanks will accept 3/8" ball nose connections
- With spray and without spray versions available

OPERATION

- Lever style handle
- Pull-on/Push-off
- Operates with less than 5 lbs. of force

FLOW

- Aerator is limited to 2.2 gpm max (8.3 L/min)

CARTRIDGE

- 1225 cartridge design
- Nonmetallic/nonferrous and stainless steel materials

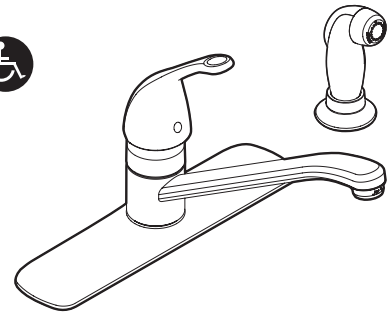
STANDARDS

- Third party certified to CSA B125, ASME A112.18.1M, ANSI A117.1 and all applicable requirements referenced therein.
- Certified to ANSI/NSF 61/9
- Complies with California Proposition 65 and with the Federal Safe Water Drinking Act

WARRANTY

- Lifetime limited warranty against leaks, drips and finish defects to the original consumer purchaser
- 5 year warranty if used in commercial installations

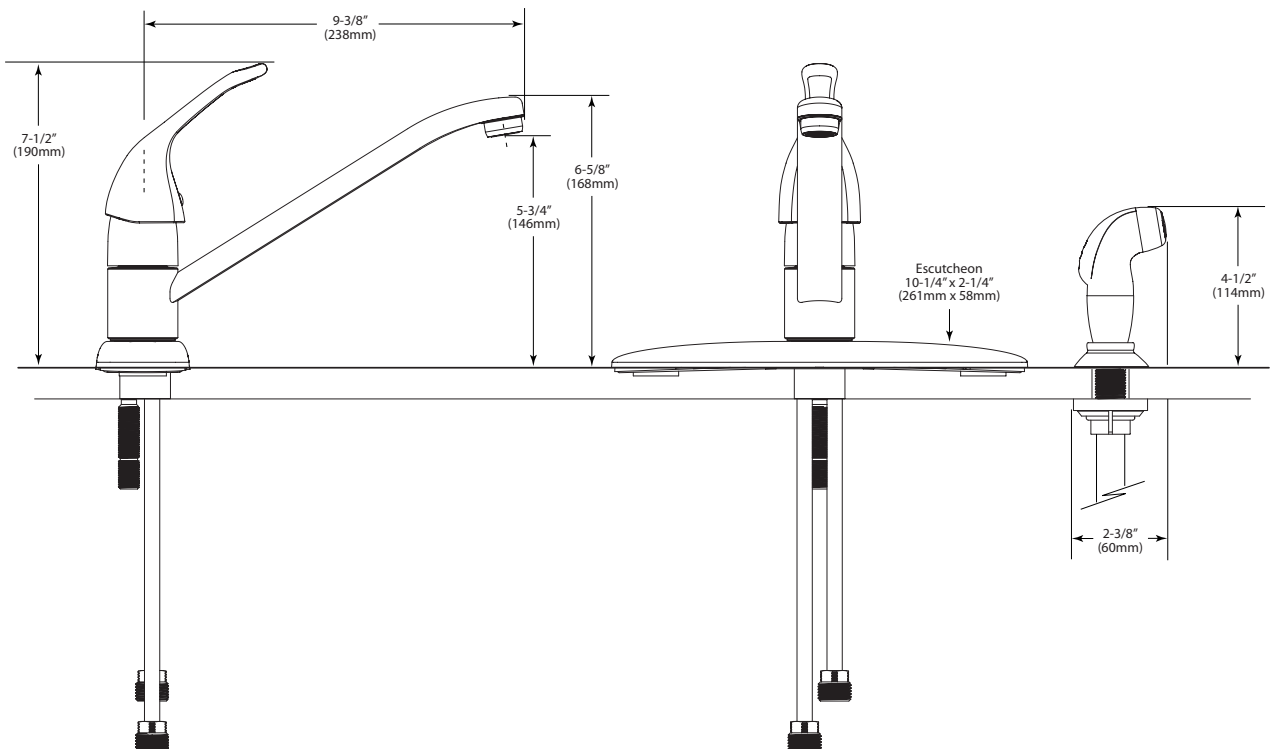
Specifications



Single Handle Lever Kitchen Faucet with Protégé® Side Spray

Models: 87830, 87830SL
87835 - **Less Spray**

NOTE: DESIGNED TO INSTALL THRU 4 HOLES 1-1/4" (32mm) MIN. DIA.
FOR SPRAY MODELS
DESIGNED TO INSTALL THRU 3 HOLES 1-1/4" (32mm) MIN. DIA.
FOR LESS SPRAY MODELS



CRITICAL DIMENSIONS

(DO NOT SCALE)