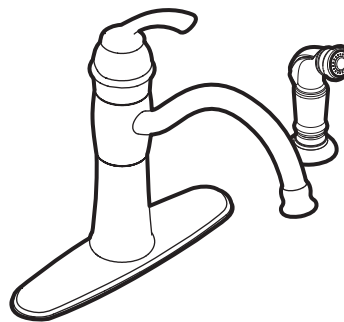




Buy it for looks. Buy it for life.®

# Specifications



## Single Handle Lever Kitchen Faucet with Side Spray

Models: 87230 series

**NOTE:** THIS FAUCET IS DESIGNED TO BE INSTALLED THROUGH 4 HOLES 1-1/4" (32mm) MIN. DIA. AND 4" (102mm) ON CENTER. Also has single hole mount capability.

### FAUCET DESCRIPTION

- Metal construction with various finishes identified by suffix
- Flexible supplies with 3/8" compression fittings
- Includes traditional side spray with quick connect system

### OPERATION

- Lever style handle
- Operates with less than 5 lbs. of force

### FLOW

- Aerator is limited to 1.5 gpm max (5.7 L/min)

### CARTRIDGE

- 1255™ Duralast™ cartridge for Single-Handle Faucets
- Nonmetallic/nonferrous and stainless steel material

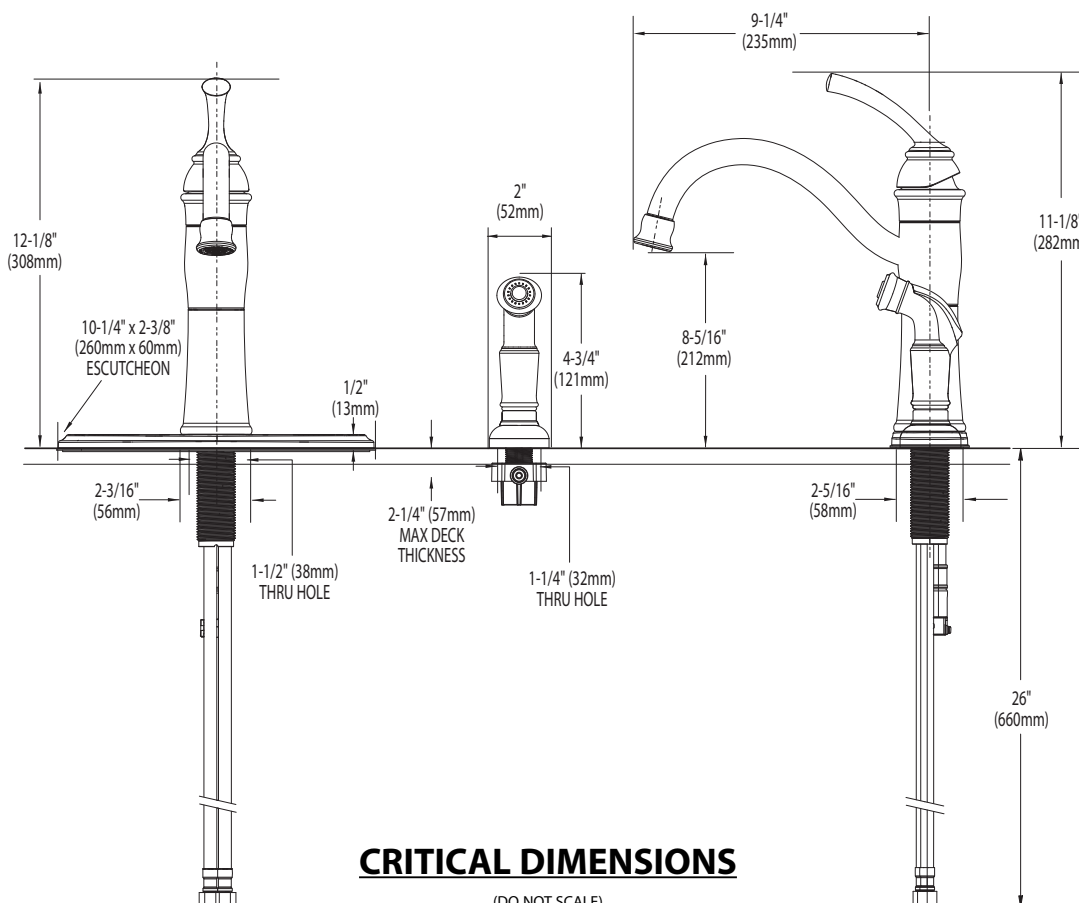
### STANDARDS

- Third party certified to CSA B-125.1, ASME A112.18.1 and all applicable requirements referenced therein
- Certified to ANSI/NSF 61/9
- Contains no more than 0.25% weighted average lead content
- Complies with California Proposition 65 and with the Federal Safe Drinking Water Act

- **ADA** for lever handle

### WARRANTY

- Lifetime limited warranty against leaks, drips and finish defects to the original consumer purchaser
- 5 year warranty if used in commercial installations



FOR MORE INFORMATION CALL: 1-800-BUY-MOEN

www.moen.com