



Buy it for looks. Buy it for life.®

Specifications

DESCRIPTION

- Metal construction with a chrome plated or LifeShine® brushed nickel finish
- 1/2" IPS connections
- Includes non-metal pop-up waste assembly

OPERATION

- Lever style handles
- Hot side counterclockwise to open (clockwise to close)
- Cold side clockwise to open (counter-clockwise to close)

FLOW

- Aerator is limited to 2.2 gpm max (8.3 L/min)

CARTRIDGE

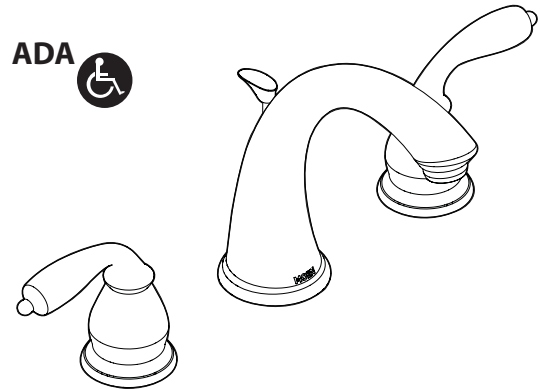
- 1224 cartridge design
- Nonmetallic and stainless steel material

STANDARDS

- Third party certified to ASME A112.18.1/CSA B125.1, ICC A117.1 and all applicable requirements reference therein
- Certified to ANSI/NSF 61/9
- Complies with California Proposition 65 and with the Federal Safe Water Drinking Act

WARRANTY

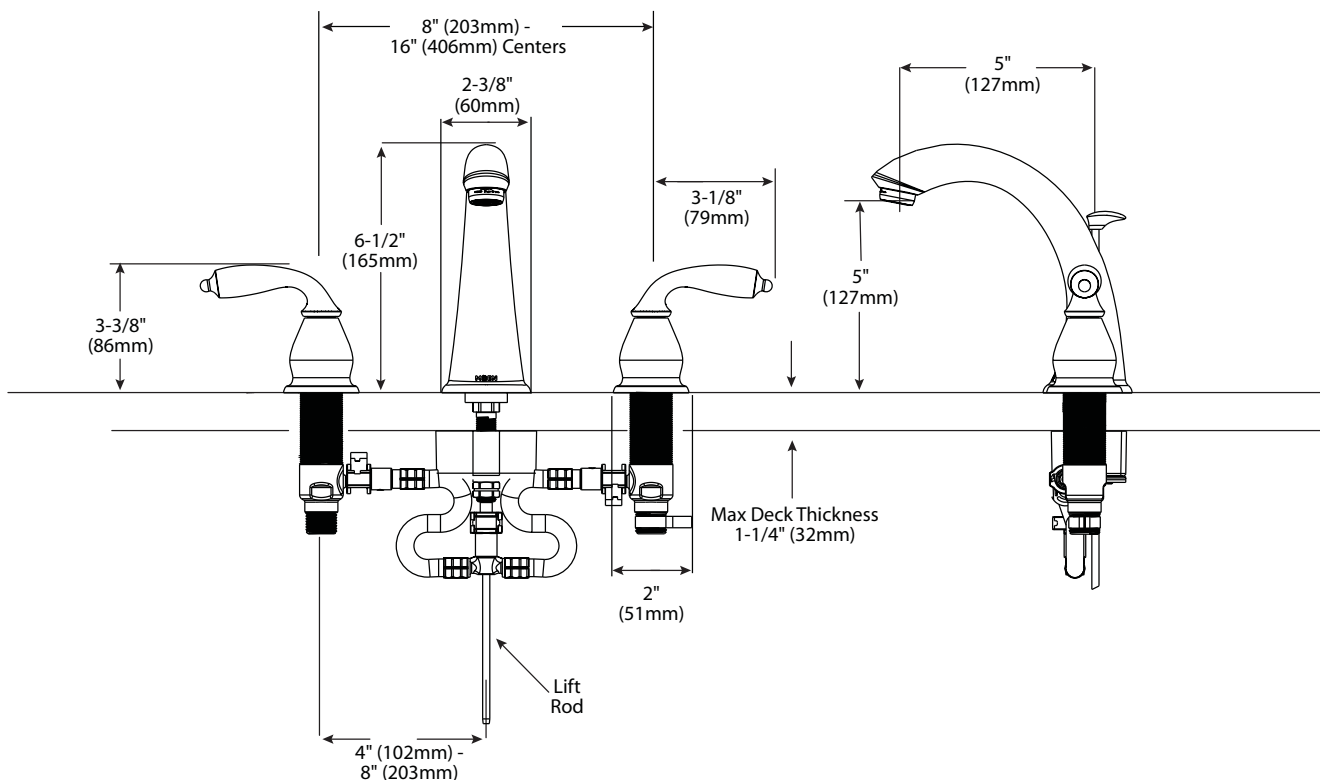
- Lifetime limited warranty against leaks, drips and finish defects to the original consumer purchaser
- 5 year warranty if used in commercial installations



Bayhill™ Two-Handle Widespread Lavatory Faucet

Models: 84294, 84294BN

NOTE: SPOUT INSTALLS THROUGH 1-1/8" MIN. DIA. HOLE.
VALVES INSTALL THROUGH 1-1/8" MIN. DIA. HOLE.
For Deck Thickness 1-3/8" to 3", use service kit number 115001. Valves install through 1-1/4" dia. hole.



CRITICAL DIMENSIONS

(DO NOT SCALE)