

DESCRIPTION

- Brass construction
- 1/2" CPVC connections
- Pressure balancing, four port, cycle valve

OPERATION

- Adjustable temperature limit stop to control maximum hot water temperature
- Pressure balancing mechanism maintain selected discharge temperature to $\pm 3.6^{\circ}\text{F}$

CARTRIDGE

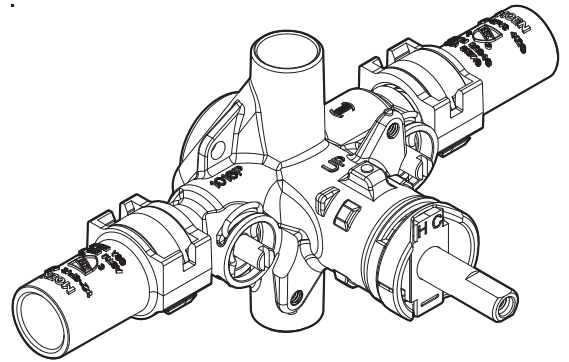
- 1222HD brass cartridge
- Metallic/nonferrous and stainless steel materials
- Accommodates back to back installations

STANDARDS

- Third party certified to: ASME A112.18.1/CSA B-125.1 and all applicable requirements referenced therein including NSF61/9

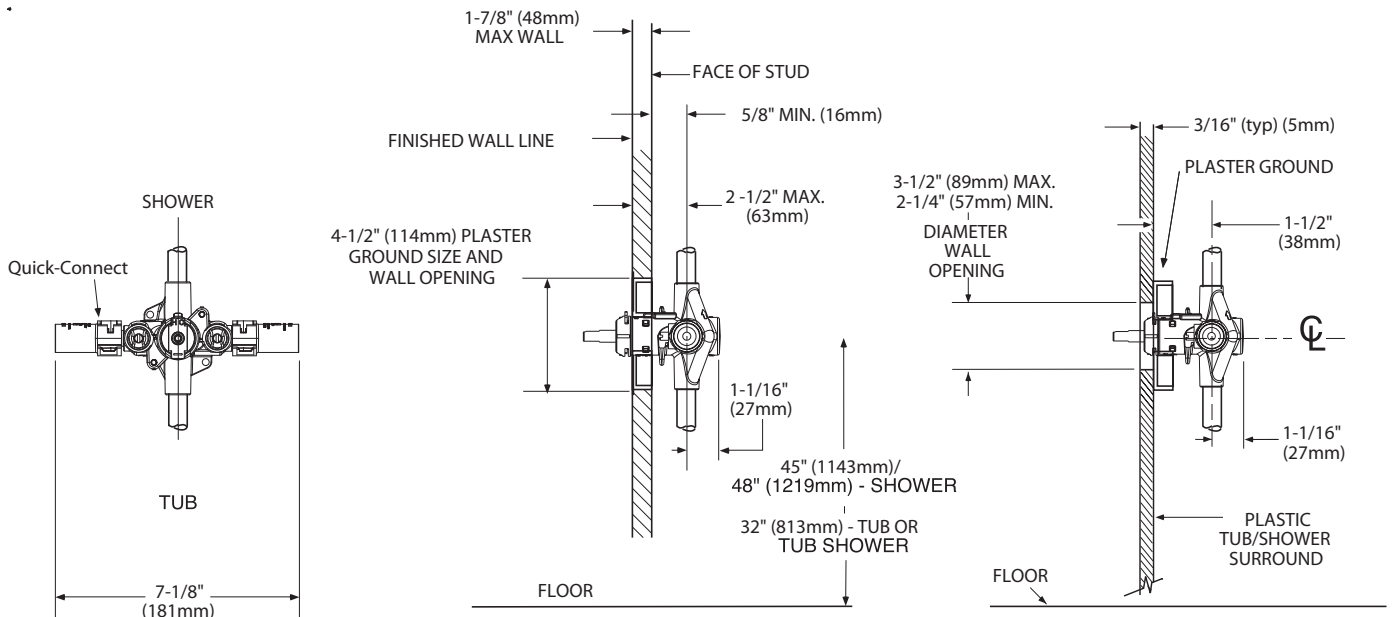
WARRANTY

- Warranted for five years against material or manufacturing defects



M-PACT POSI-TEMP® VALVE Pressure-Balancing Valve with 1/4 Turn Stops

Model: 8374HD



CRITICAL DIMENSIONS

(DO NOT SCALE)