



PRODUCT DESCRIPTION

- Manual exposed urinal flushometer with brass angle stop valve
- Cast brass construction with chrome electroplated finish
- Chloramines resistant seals
- 3/4" IPS inlet supply
- 3/4" top spud
- High back pressure vacuum breaker
- ADA compliant handle with dual o-ring seals

OPERATION

- Operating pressures: 15 to 120 psi
- AccuSet™ piston technology
- Self-cleaning filter

FLOW

- **8312M10** (1.0 gpf/3.8 lpf)
- **8312M05** (0.5 gpf/1.9 lpf) – **WaterSense certified** 
- **8312M0125** (0.125 gpf/0.5 lpf) – **WaterSense certified** 
- **8314M10** (1.0 gpf/3.8 lpf) – 1-1/4" top spud

STOP VALVE

- 3/4" IPS vandal resistant control stop
- Solid brass with chloramines resistant face seal

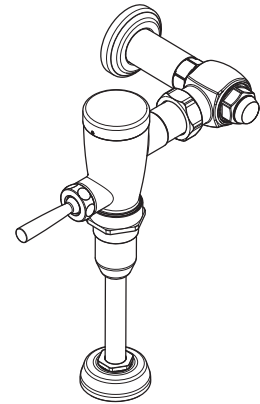
STANDARDS

- Third party certified by IAPMO and CSA to meet ASME A112.19.2M and all applicable requirements referenced therein and complies with requirements of ASSE 1037

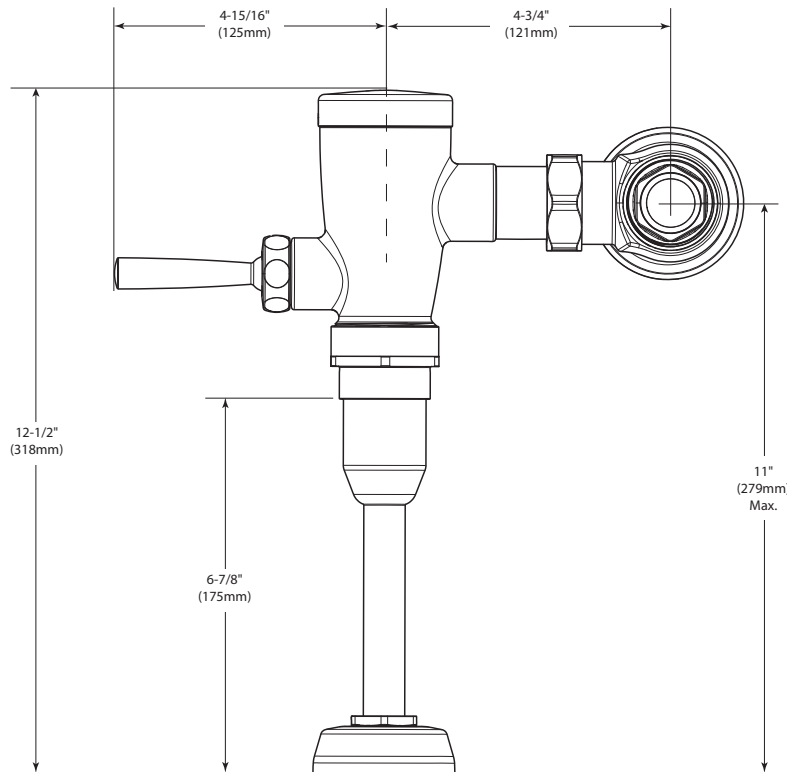
- **ADA** 

WARRANTY

- Warranted for 5 years against material or manufacturing defects



3/4" Manual Exposed Style Urinal Flush Valve



CRITICAL DIMENSIONS

(DO NOT SCALE)