

FAUCET DESCRIPTION

- Chrome plated metal construction with chrome and LifeShine® polished brass, LifeShine® polished brass or chrome and porcelain finishes
- 1/2" IPS connections will accept standard ball nose connection for 3/8" tubing
- Porcelain handle

OPERATION

- Lever style handles
- Operate the faucet by rotating either handle in a counterclockwise manner to open, and clockwise to close.

FLOW

- Aerator is limited to 2.2 gpm max (8.3 L/min)

CARTRIDGE

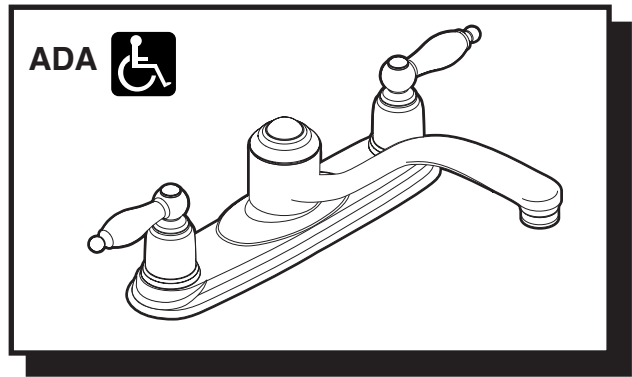
- 1224 cartridge design
- Nonmetallic and stainless steel material

STANDARDS

- Third party certified to meet CSA B-125, ASME A112.18.1M, ANSI A117.1 and all applicable requirements referenced therein
- Certified to ANSI/NSF 61/9
- Complies with California Proposition 65 and with the Federal Safe Water Drinking Act

WARRANTY

- Lifetime limited warranty against leaks, drips and finish defects to the original consumer purchaser
- 5 year warranty if used in commercial installations



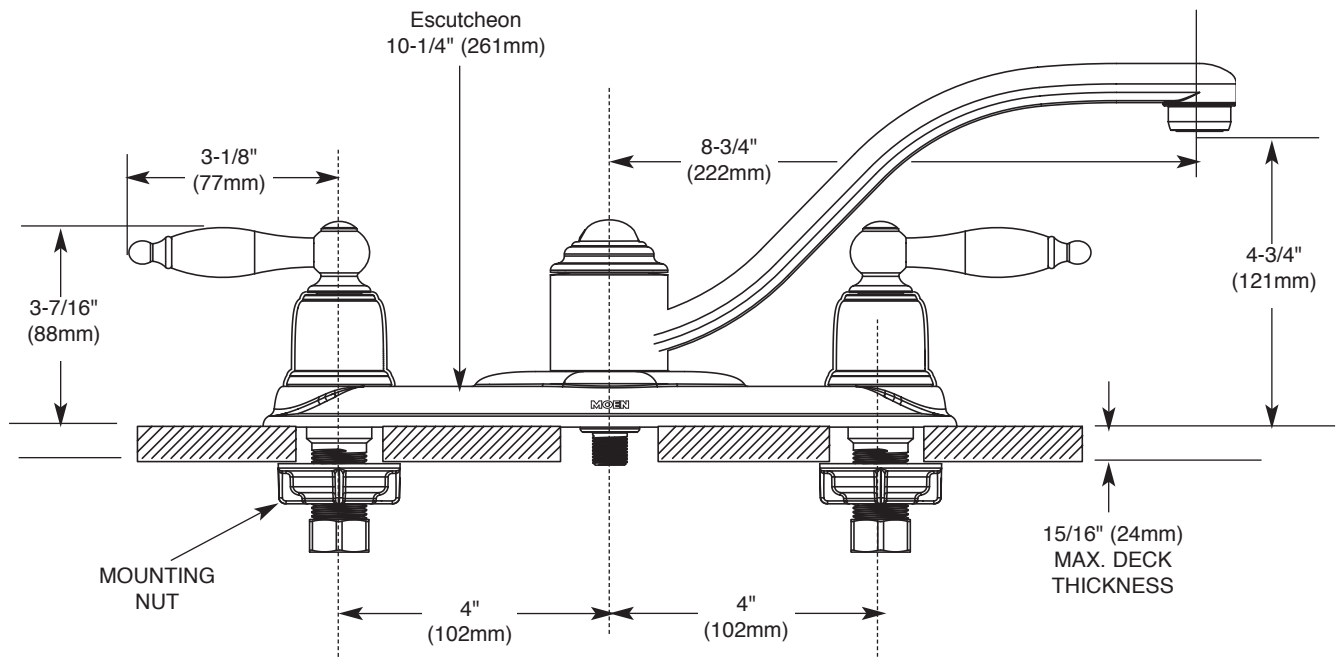
CASTLEBY™ Two-Handle Lever Style Kitchen Faucet

Models: 7909, 7909CP, 7909CPC, 7909P

Bulk Model: 67909
(Bulk packed 6 per carton)

**NOTE: See reverse side
for illustrated parts**

**NOTE: This faucet is designed to be
installed through 3 holes 1" Min. Dia.**



CRITICAL DIMENSIONS

(DO NOT SCALE)