



Buy it for looks. Buy it for life.®

# Specifications

*There is more than 1 version of this model.  
Page down to identify the version you have.*

## FAUCET DESCRIPTION

- Metal construction with various finishes identified by suffix
- Wand with Hydrolock® quick connect system
- Pullout spray with 59" fiber hose
- Flexible supplies with 3/8" compression fittings

## OPERATION

- Lever style handle
- Temperature controlled by 100° arc of handle travel
- Spout receptor rotation is 145°
- Operates with less than 5 lbs. of force
- Operates in stream or spray mode in the pullout or retracted position

## FLOW

- Flow is limited to 2.2 gpm (8.3 L/min) MAX

## CARTRIDGE

- 1255™ Duralast™ cartridge

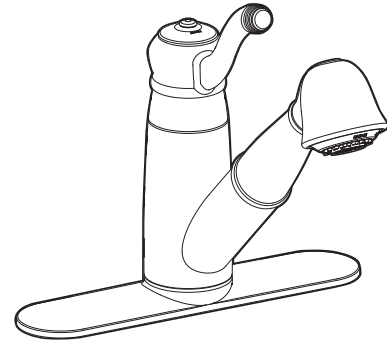
## STANDARDS

- Third party certified to ASME A112.18.1/CSA B-125.1 and all applicable requirements referenced therein including NSF 61/9
- Contains no more than 0.25% weighted average lead content
- Complies with California Proposition 65 and with the Federal Safe Drinking Water Act
- The backflow protection system in the device consists of two independently operating check valves, a primary and a secondary which prevent backflow

- **ADA**  for lever handle

## WARRANTY

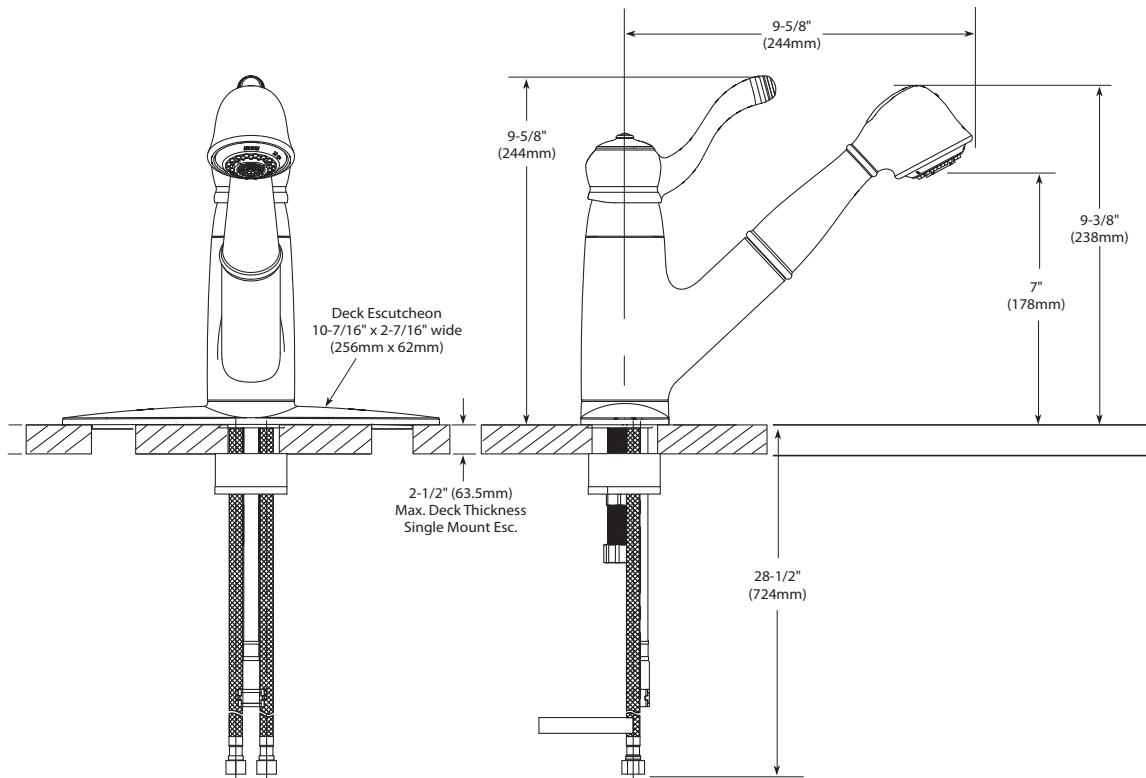
- Lifetime limited warranty against leaks, drips and finish defects to the original consumer purchaser
- 5 year warranty if used in commercial installations



## Colonnade® Single Control Kitchen Faucet w/Pullout Spray

**Models:** 7575 series

**NOTE:** DESIGNED TO INSTALL  
THRU 1 OR 3 HOLES 1-1/2" (38mm) DIA.



## CRITICAL DIMENSIONS

(DO NOT SCALE)



Buy it for looks. Buy it for life.®

# Specifications

## FAUCET DESCRIPTION

- Metal construction with various finishes identified by suffix
- Wand with Hydrolock® quick connect system
- Pullout spray with 59" fiber hose
- 1/2" IPS connections will accept standard ball nose connection for 3/8" tubing
- Liquid dispenser with 87575CSD only

## OPERATION

- Lever style handle
- Temperature controlled by 180° arc of handle travel
- Spout receptor rotation is 145°
- Operates with less than 5 lbs. of force
- Operates in stream or spray mode in the pullout or retracted position


## FLOW

- Flow is limited to 2.2 gpm (8.3 L/min) MAX

## CARTRIDGE

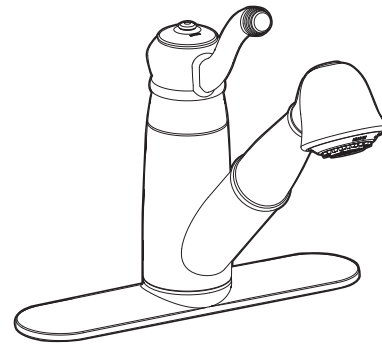
- 1225 cartridge design
- Engineered polymers, non-ferrous and stainless steel materials

## STANDARDS

- Designed and manufactured to comply with the requirements of: CSA B-125.1, ASME A112.18.1, NSF 61 Section 9, California Proposition 65, ICC A117.1, ADA
- The backflow protection system in this device consists of two independently operating check valves, a primary and a secondary which prevent backflow.
- **ADA**  for lever handle

## WARRANTY

- Lifetime limited warranty against leaks, drips and finish defects to the original consumer purchaser
- 5 year warranty if used in commercial installations

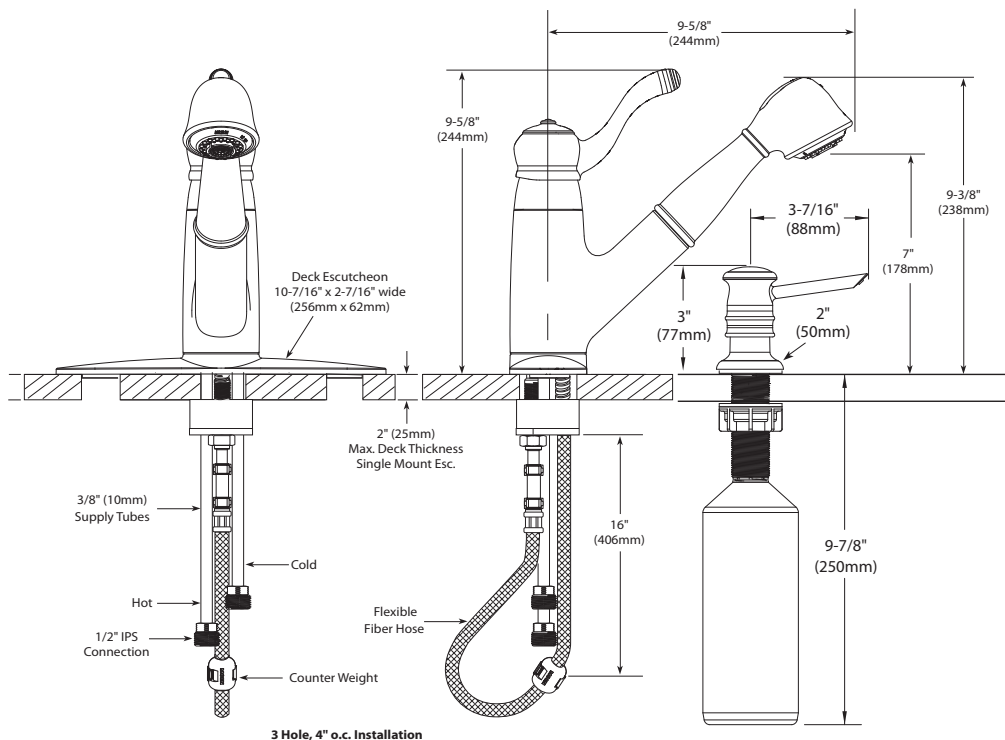


### Colonnade™ Single Control Kitchen Faucet w/Pullout Spray

**Models:** 7575 series  
87575 series

**Discontinued Models:**  
7575, 7575S, 7575CPR, 7575SL  
87575, 87575C, 87575S, 87575,  
87575W, 87575CPR

**NOTE:** DESIGNED TO INSTALL  
THRU 1 OR 3 HOLES 1-1/4" (32mm) DIA.



## CRITICAL DIMENSIONS

(DO NOT SCALE)