

FAUCET DESCRIPTION

- Metal construction chrome plated finish
- 16" straight copper supplies without fittings
- Includes Swing-N-Spray® aerator

OPERATION

- Lever style handle
- Temperature controlled by 180° arc of handle travel
- Will operate with less than 5lbs. of force

FLOW

- Aerator is limited to 2.2 gpm (8.3 L/min.) @ 60 psi and 2.5 gpm (9.5 L/min) @ 80 psi

CARTRIDGE

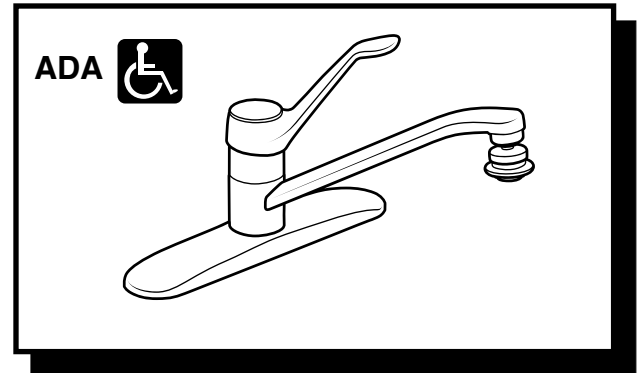
- 1225 cartridge design (not 1200)
- Nonmetallic/nonferrous and stainless steel material

STANDARDS

- Designed and manufactured to comply with the requirements of: CSA B-125, ASME A112.18.1M, and all applicable requirements referenced therein and complies with the applicable requirements of ANSI A117.1.
- Certified to ANSI/NSF 61/9
- Complies with California Proposition 65 and with the Federal Safe Water Drinking Act

WARRANTY

- Lifetime limited warranty against leaks, drips and finish defects to the original consumer purchaser
- 5 year warranty if used in commercial installations

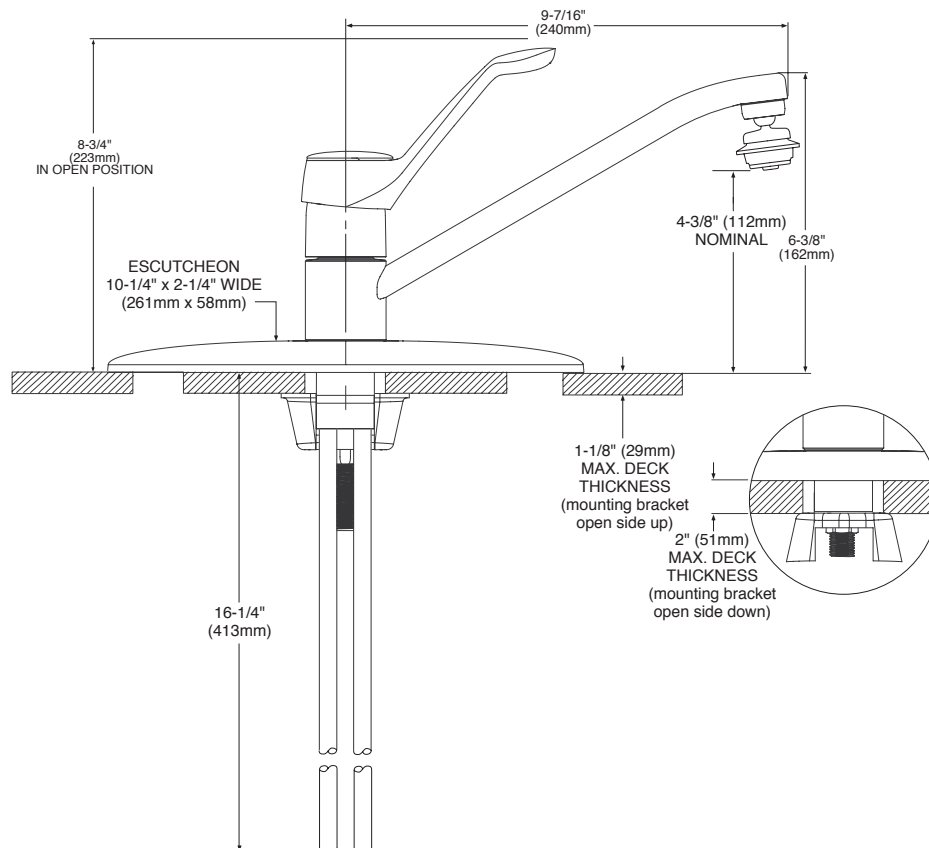


CHATEAU® Single-Handle Kitchen Faucet

Model: 7429

**NOTE: See reverse side
for illustrated parts**

**NOTE: DESIGNED TO INSTALL THROUGH
1 HOLES 1-1/4" (32mm) MIN. DIA.**



CRITICAL DIMENSIONS

(DO NOT SCALE)