



Buy it for looks. Buy it for life.®

There is more than 1 version of this model.
Page down to identify the version you have.

FAUCET DESCRIPTION

- Metal construction with 5 finishes (chrome plated, chrome w/glacier, decorative glacier, sand or ivory)
- Hydrolock® quick connect installation
- Pullout spout (includes 59" nylon hose)
- 1/2" IPS connections will accept standard ball nose connection for 3/8" tubing

OPERATION

- Loop style handle
- Temperature controlled by 180° arc of handle travel
- Spout rotation is 145°
- Will operate with less than 5lbs. of force
- Faucet operates in stream or spray mode in the pullout or retracted position


FLOW

- Flow is limited to 2.2 gpm (8.3 L/min) MAX

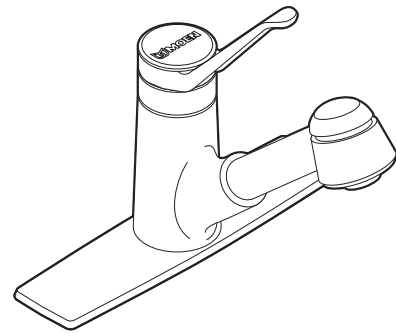
CARTRIDGE

- 1225 cartridge design
- Nonmetallic/nonferrous and stainless steel material

STANDARDS

- Designed and manufactured to comply with the requirements of: CSA B-125.1, ASME A112.18.1, IAPMO PS 49 and all applicable requirements referenced therein and complies with the applicable requirements of ICC A117.1, California Proposition 65 and NSF 61/9.
- The backflow protection system in this device consists of two independently operating check valves, a primary and a secondary which prevent backflow.
- ADA  for lever handle

Specifications



OneTouch® Single Control Kitchen Pullout Faucet

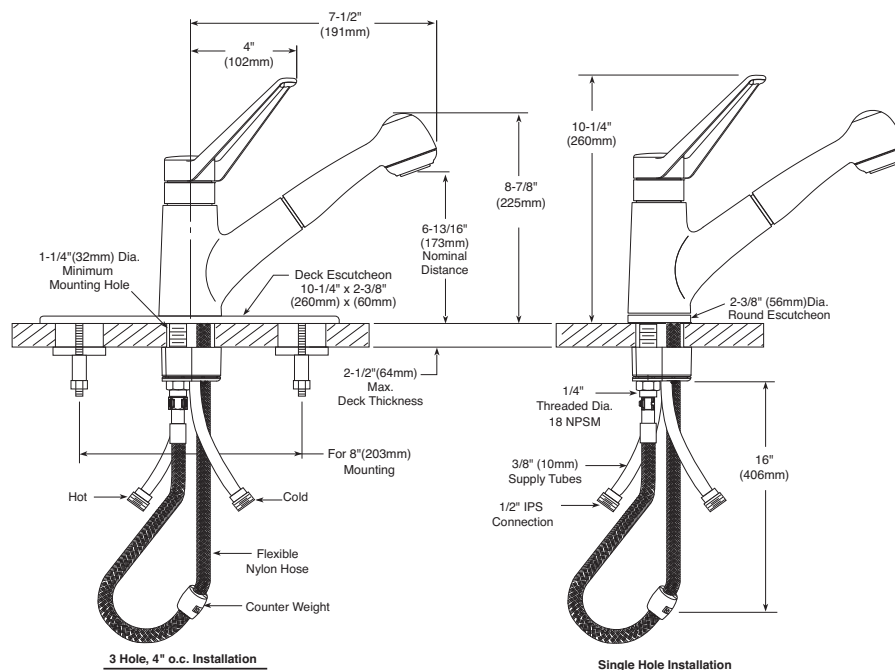
Models: 7385, 7385W, 7385S, 7385C, 7385V, 87540, 87540C, 87540S, 87540W, 87450CSD

Bulk Models: 67385, 67385C, 67385S, 67385V, 67385W
(Bulk Packed 3 per Carton)

NOTE: DESIGNED TO INSTALL THRU 1 OR 3 HOLES
1-1/4" (32mm) MIN. DIA.

WARRANTY

- Lifetime limited warranty against leaks, drips and finish defects to the original consumer purchaser
- 5 year warranty if used in commercial installations



CRITICAL DIMENSIONS

(DO NOT SCALE)



Buy it for looks. Buy it for life.®

Specifications

FAUCET DESCRIPTION

- Metal construction various finishes identified by suffix
- Wand with Hydrolock® quick connect system
- Pullout spout (includes 59" nylon hose)
- 1/2" IPS connections will accept standard ball nose connection for 3/8" tubing

OPERATION

- Loop style handle
- Temperature controlled by 180° arc of handle travel
- Spout rotation is 145°
- Will operate with less than 5lbs. of force
- Faucet operates in stream or spray mode in the pullout or retracted position

FLOW

- Flow is limited to 2.2 gpm (8.3 L/min) MAX

CARTRIDGE

- 1225 cartridge design
- Nonmetallic/nonferrous and stainless steel material

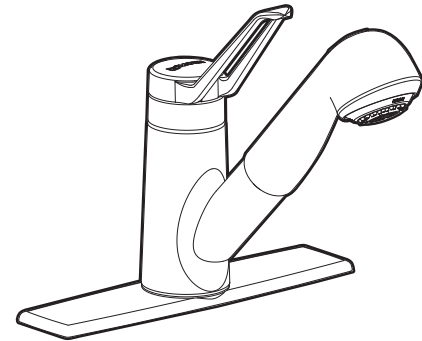
STANDARDS

- Designed and manufactured to comply with the requirements of: CSA B-125, ASME A112.18.1M, IAPMO PS 49 and all applicable requirements referenced therein and complies with the applicable requirements of ANSI A117.1, California Proposition 65 and NSF 61/9.
- The backflow protection system in this device consists of two independently operating check valves, a primary and a secondary which prevent backflow

- **ADA**  for lever handle

WARRANTY

- Lifetime limited warranty against leaks, drips and finish defects to the original consumer purchaser
- 5 year warranty if used in commercial installations

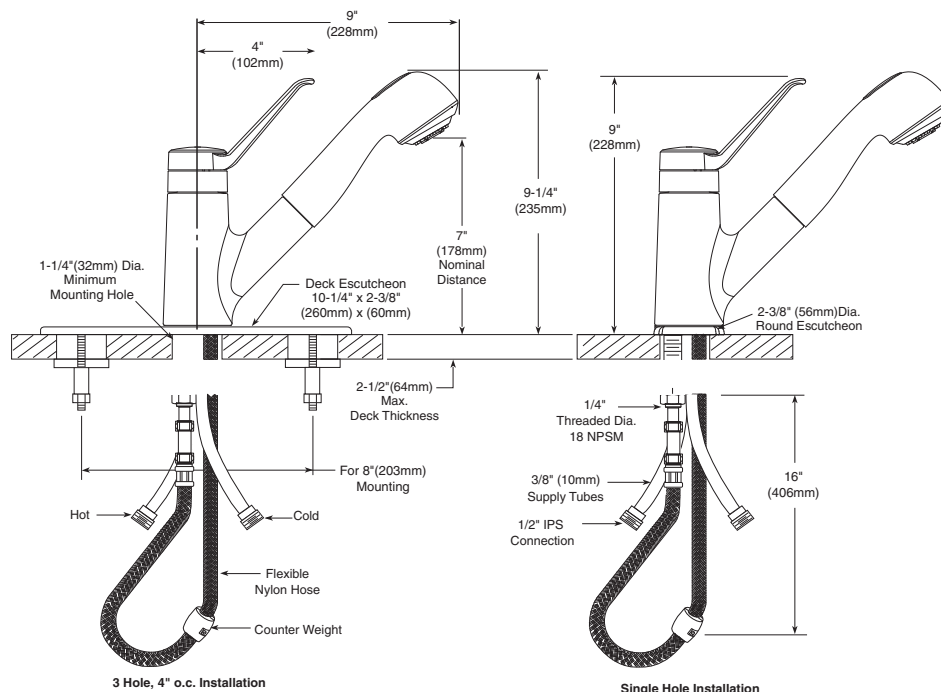


OneTouch® Single Control Kitchen Pullout Faucet

Models: 7385 series, 87540 series

**Bulk Models: 67385 series
(Bulk Packed 3 per Carton)**

**NOTE: DESIGNED TO INSTALL
THRU 1 OR 3 HOLES 1-1/4" (32mm) MIN. DIA.**



CRITICAL DIMENSIONS

(DO NOT SCALE)