



Buy it for looks. Buy it for life.®

Specifications

FAUCET DESCRIPTION

- Metal construction with a chrome plated or decorative sand or glacier finish
- Dual position spout
- 1/2" IPS connections will accept standard ball nose connection for 3/8" tubing
- Includes Protégé Side Spray

OPERATION

- Lever style handle
- Temperature controlled by 180° arc of handle travel
- Will operate with less than 5lbs. of force

FLOW

- Aerator is limited to 2.2 gpm max (8.3 L/min)

CARTRIDGE

- 1225 cartridge design
- Nonmetallic/nonferrous and stainless steel material
- Is capable of correcting reversed piping and can accommodate back to back installations

STANDARDS

- Third party certified by CSA to meet CSA B-125, ASME A112.18.1M and all applicable requirements referenced therein and complies with the applicable requirements of ANSI A117.1
- Certified to ANSI/NSF 61/9
- Complies with California Proposition 65 and with the Federal Safe Water Drinking Act

WARRANTY

- Lifetime limited warranty against leaks, drips and finish defects to the original consumer purchaser
- 5 year warranty if used in commercial installations

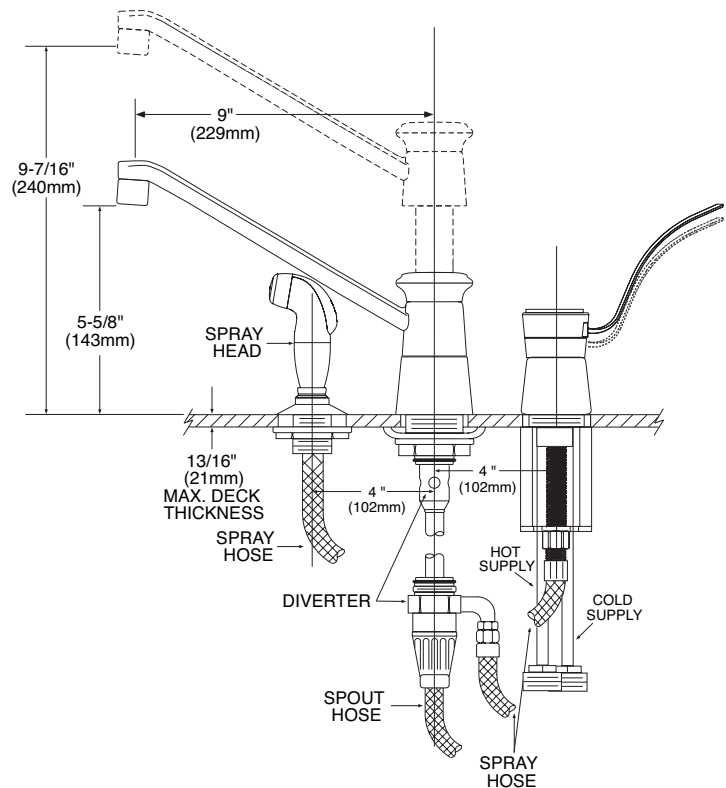


LEGEND*

Single-Handle Riser® Kitchen Faucet w/Protégé Side Spray

Models: 7346, 7346S, 7346W

NOTE: FAUCET IS INSTALLED THROUGH 3 HOLES 1-1/4" (32mm) MIN. DIA. AND 4" (102mm) ON CENTER



CRITICAL DIMENSIONS

(DO NOT SCALE)

FOR MORE INFORMATION: 1-800-BUY-MOEN

www.moen.com