



Buy it for looks. Buy it for life.®

There is more than 1 version of this model.
Page down to identify the version you have.

DESCRIPTION

- Metal construction with various finishes identified by suffix
- High arc spout provides the height and reach to fill or clean large pots
- Single hole mounting
- Flexible supply lines with 3/8" compression fittings
- 360° rotating spout

OPERATION

- Single handle lever
- Temperature controlled by 100° arc of handle travel

FLOW

- Spout flow is limited to 2.0 gpm max (7.6L/min) at 60 psi

CARTRIDGE

- 1255™ Duralast™ cartridge for Single-Handle Faucets

STANDARDS

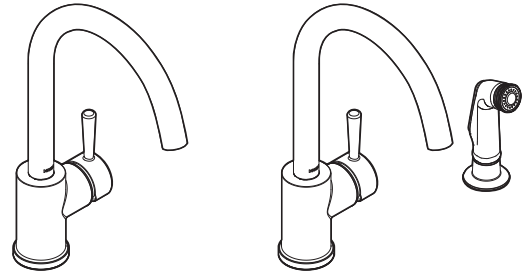
- Third party certified to ASME A112.18.1/CSA B125.1 and all applicable requirements referenced therein including NSF 61/9
- Contains no more than 0.25% weighted average lead content
- Complies with California Proposition 65 and with the Federal Safe Drinking Water Act

- **ADA**  for lever handle

WARRANTY

- Lifetime limited warranty against leaks, drips and finish defects to the original consumer purchaser
- 5 year warranty if used in commercial installations

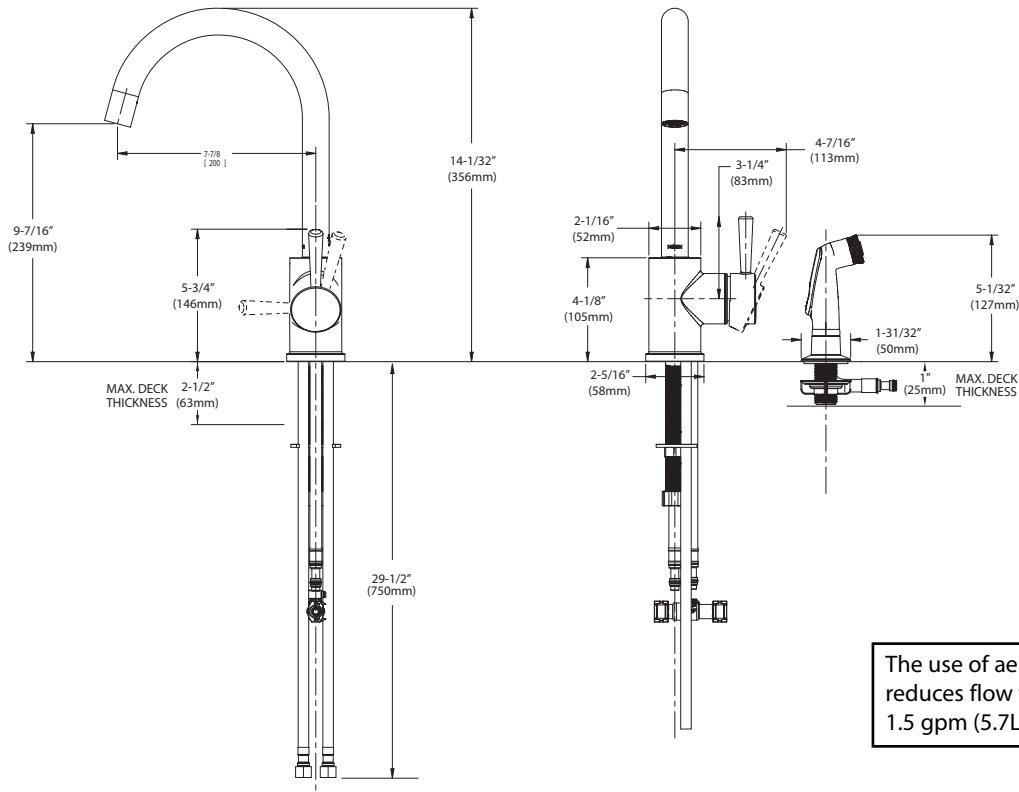
Specifications



LEVEL™ Single Handle Single Hole Mount High Arc Kitchen Faucet

Models: 7100 series
7106 series with spray

NOTE: THIS FAUCET IS DESIGNED TO BE
INSTALLED THRU 1 HOLE, 1-1/2" (38mm) MIN. DIA.
(OPTIONAL 3-HOLE ESCUTCHEON
141002 AVAILABLE)



The use of aerator part 116711 reduces flow to a maximum of 1.5 gpm (5.7L/min.)

CRITICAL DIMENSIONS

(DO NOT SCALE)



Buy it for looks. Buy it for life.®

Specifications

DESCRIPTION

- Metal construction with various finishes identified by suffix
- High arc spout provides the height and reach to fill or clean large pots
- Single hole mounting
- Flexible supply lines with 3/8" compression fittings connect directly to supply stops
- 360° rotating spout

OPERATION

- Single handle lever
- Temperature controlled by 110° arc of handle travel


FLOW

- Flow is limited to 2.0 gpm (7.6 L/min) at 60 psi
- Diverted flow at sidespray limited to 2.0 gpm (7.6 L/min) at 60 psi

CARTRIDGE

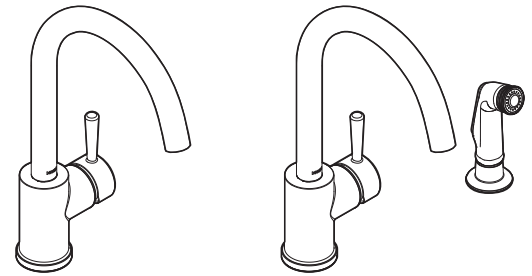
- 1255™ Duralast™ cartridge for Single-Handle Faucets I

STANDARDS

- Third party certified to ASME A112.18.1/CSA B125.1 and all applicable requirements therein including NSF 61/9
- Complies with California Proposition 65 and with the Federal Safe Drinking Water Act
- **ADA**  for lever handles

WARRANTY

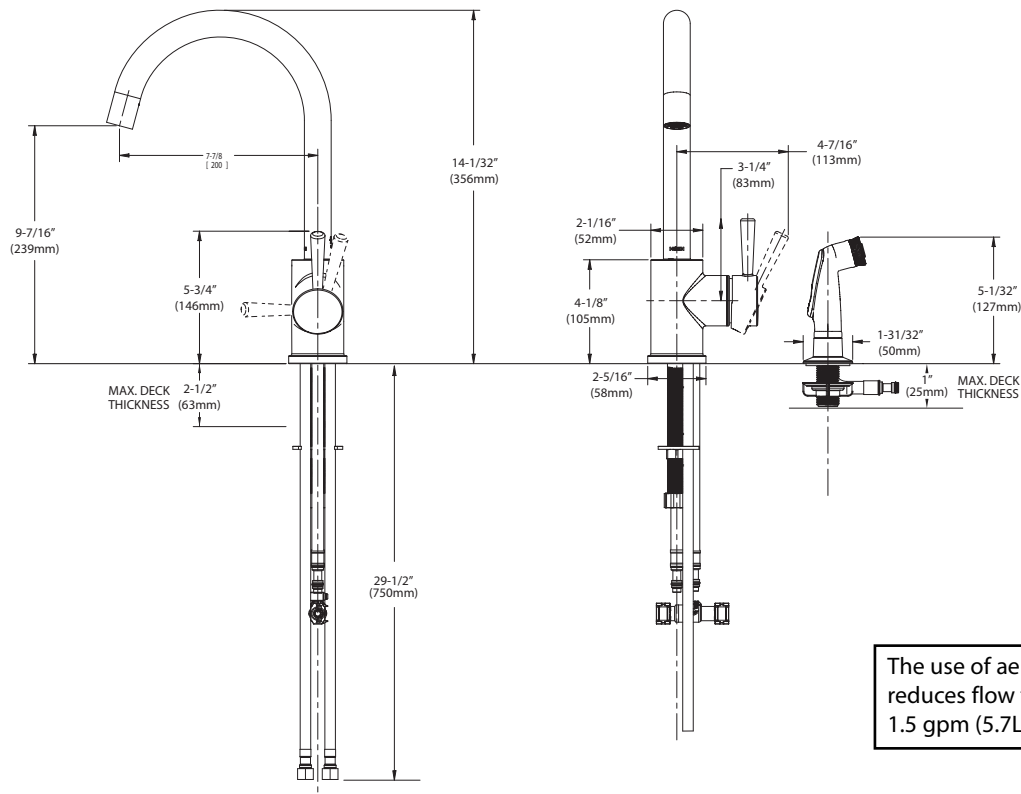
- Lifetime limited warranty against leaks, drips and finish defects to the original consumer purchaser
- 5 year warranty if used in commercial installations



LEVEL™ Single Handle Single Hole Mount High Arc Kitchen Faucet

Models: 7100 series
7106 series with spray

NOTE: THIS FAUCET IS DESIGNED TO BE
INSTALLED THRU 1 HOLE, 1-1/2" (38mm) MIN. DIA.



The use of aerator part 116711 reduces flow to a maximum of 1.5 gpm (5.7L/min.)

CRITICAL DIMENSIONS

(DO NOT SCALE)