



Buy it for looks. Buy it for life.®

Specifications

DESCRIPTION

- Metal construction with a chrome plated or decorative antique brass, or LifeShine® polished brass
- 1/2" IPS connections
- Includes metal pop-up type waste assembly

OPERATION

- Lever style handles with interchangeable inserts.
- Hot side counterclockwise to open (clockwise to close)
- Cold side clockwise to open (counterclockwise to close)

FLOW

- Aerator is limited to 2.2 gpm max (8.3 L/min)

CARTRIDGE

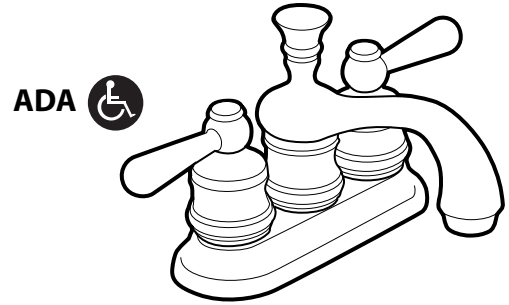
- 1224 cartridge design
- Nonmetallic and stainless steel material

STANDARDS

- Third party certified to meet CSA B-125, ASME A112.18.1M, ANSI A117.1 and all applicable requirements referenced therein
- Certified to ANSI/NSF 61/9
- Complies with California Proposition 65 and with the Federal Safe Water Drinking Act

WARRANTY

- Lifetime limited warranty against leaks, drips and finish defects to the original consumer purchaser
- 5 year warranty if used in commercial installations

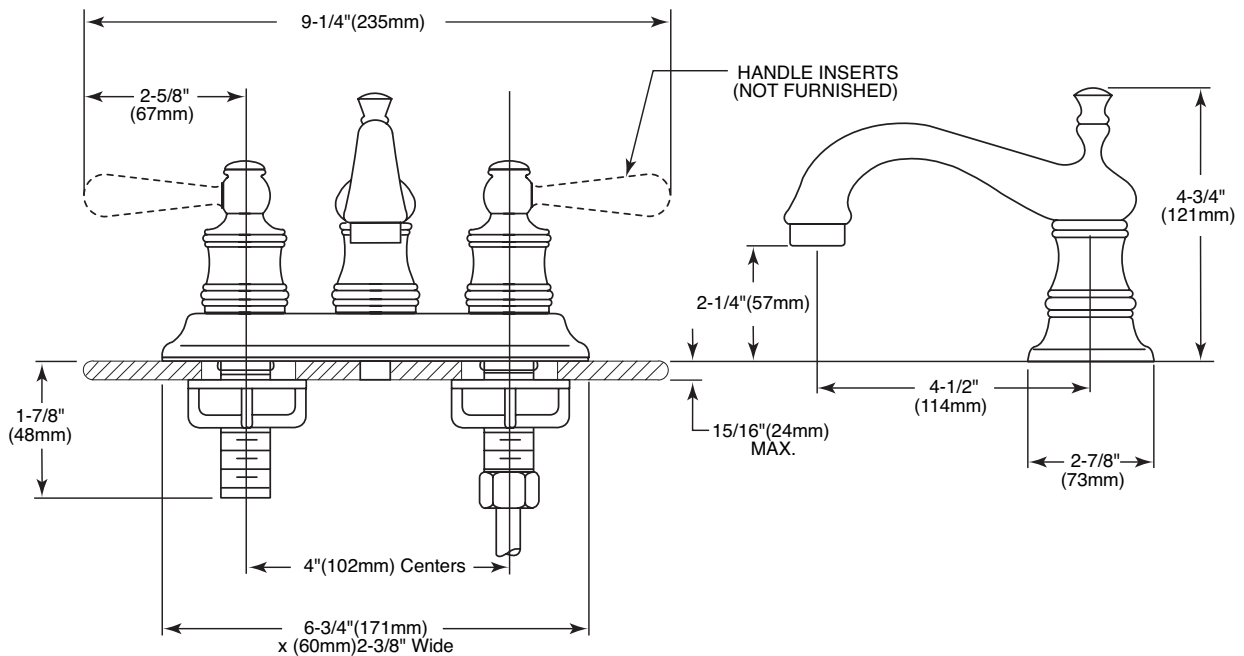


TRADITIONAL®
Two-Handle Lavatory Faucet
with Metal Waste Assembly

Models: 5932, 5932A,
 5932P, *5932W

*** Discontinued 2/1/98**

NOTE: THIS FAUCET IS DESIGNED TO BE INSTALLED
 THRU 3 HOLES, 1" MIN. DIA.



CRITICAL DIMENSIONS

(DO NOT SCALE)

FOR MORE INFORMATION CALL: 1-800-BUY-MOEN

www.moen.com