



Buy it for looks. Buy it for life.®

Specifications

DESCRIPTION

- Metal construction with chrome plated, chrome w/porcelain, chrome w/LifeShine® polished brass accents, LifeShine® brushed nickel, LifeShine® polished brass, satine or satine w/LifeShine® polished brass accents
- 1/2" IPS connections
- Includes metal pop-up waste assembly
- Includes hot (red) and cold (blue) temperature indicators

OPERATION

- Lever style handles
- Maximum handle(s) rotation angle is 90° to full on
- Rotate hot side counterclockwise to open (clockwise to close)
- Rotate cold side clockwise to open (counterclockwise to close)

FLOW

- Aerator is limited to 2.2 gpm max (8.3 L/min)

CARTRIDGE

- 1224 cartridge design
- Nonmetallic and stainless steel material

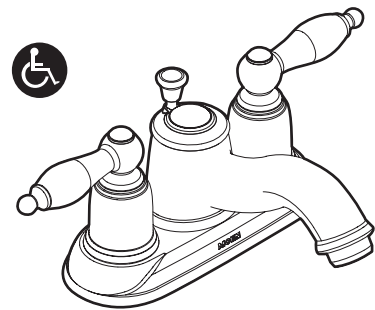
STANDARDS

- Third party certified to CSA B125, ASME A112.18.1M, ANSI A117.1, and all applicable requirements referenced therein
- Certified to ANSI/NSF 61/9
- Complies with California Proposition 65 and with the Federal Safe Drinking Water Act

WARRANTY

- Lifetime limited warranty against leaks, drips and finish defects to the original consumer purchaser
- 5 year warranty if used in commercial installations

ADA 



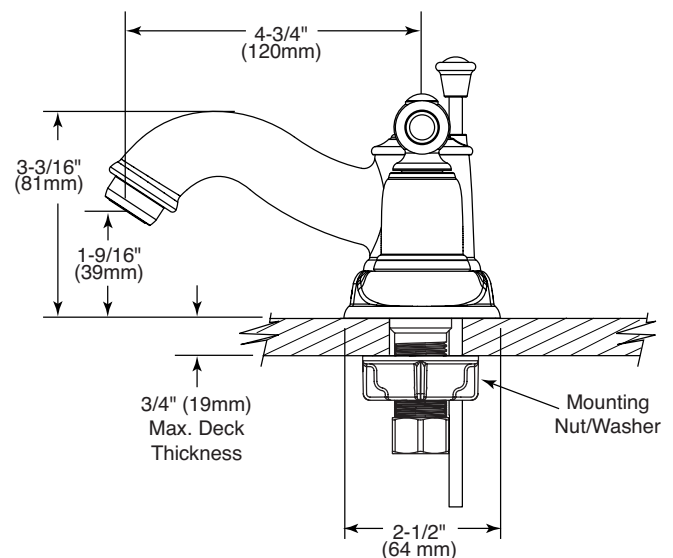
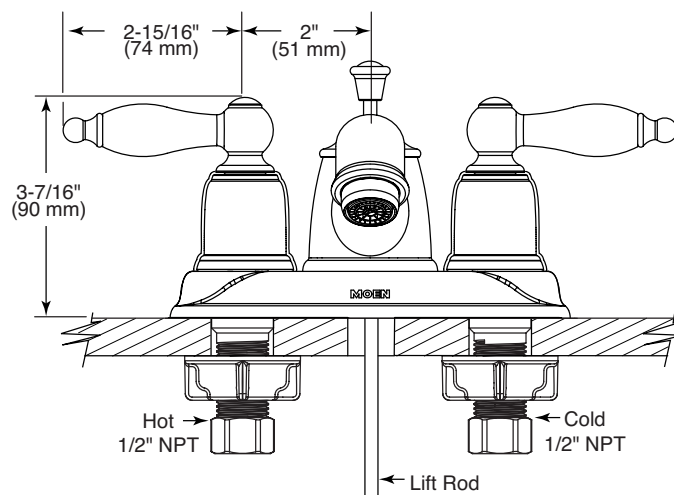
CASTLEBY™
4" Lavatory Faucet
with Metal Waste Assembly

Models: 4938, 4938BN, 4938CP, 4938CPC, 4938ST, 4938STST

Discontinued: 4938P

Bulk Model: 64938
(Bulk Packed 12 per carton)
50/50 Waste Assembly

NOTE: THIS FAUCET IS DESIGNED TO BE INSTALLED THRU 3 HOLES, 1" MIN. DIA.



CRITICAL DIMENSIONS

(DO NOT SCALE)