

DESCRIPTION

- Metal construction with a chrome plated or LifeShine® polished brass or glacier finish
- 1/2" IPS connections
- Includes metal pop-up type waste assembly

OPERATION

- Concentrix knob style handles
- Rotate either handle in a counterclockwise manner to open and clockwise to close

FLOW

- Aerator is limited to 2.2 gpm max (8.3 L/min)

CARTRIDGE

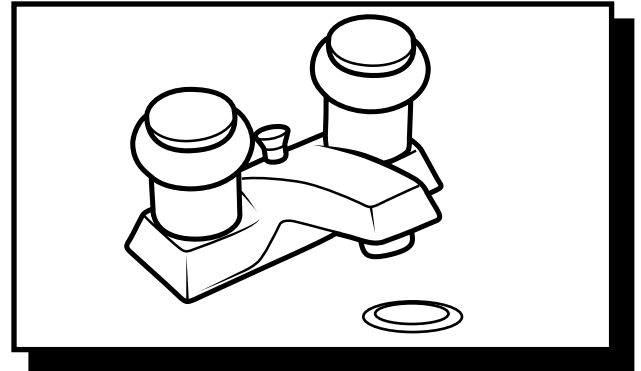
- 1224 cartridge design
- Nonmetallic and stainless steel material

STANDARDS

- Third party certified by CSA to meet CSA B-125 and ASME A112.18.1M and all applicable requirements referenced therein.
- Certified to ANSI/NSF 61/9
- Complies with California Proposition 65 and with the Federal Safe Water Drinking Act

WARRANTY

- Lifetime limited warranty against leaks, drips and finish defects to the original consumer purchaser
- 5 year warranty if used in commercial installations



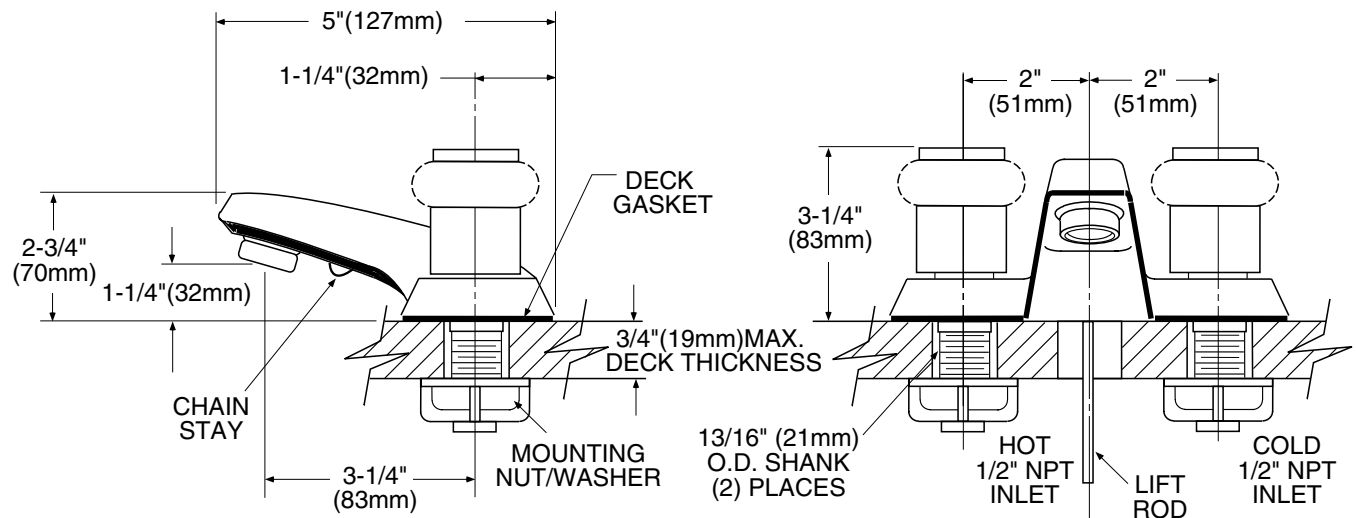
CONCENTRIX®
4" Lavatory Faucet
with Metal Waste Assembly

**Models: 4921, 4921P, *4921W,
 *4923, *4923W**

***4923, 4923W, 4921W - Discontinued 2/1/2000**

**NOTE: See reverse side
 for illustrated parts and handle options**

**NOTE: THIS FAUCET IS DESIGNED TO BE
 INSTALLED THRU 3 HOLES, 1" MIN. DIA.**



CRITICAL DIMENSIONS

(DO NOT SCALE)