

DESCRIPTION

- Metal construction with chrome plated, LifeShine® Polished Brass, Glacier, Platinum Black Opal™, Classic Gold, or Satine™, finishes
- 1/2" IPS connections
- Includes metal pop-up type waste assembly on 4000 series models
- Includes 50/50 pop-up type waste assembly on 80000 series models

OPERATION

- Lever style handles (less handle inserts)
- Maximum handle rotation angle is 90° to full on for either handle
- Includes hot (red) and cold (blue) color indicators

FLOW

- Aerator is limited to 2.2 gpm (8.3 L/min)

CARTRIDGE

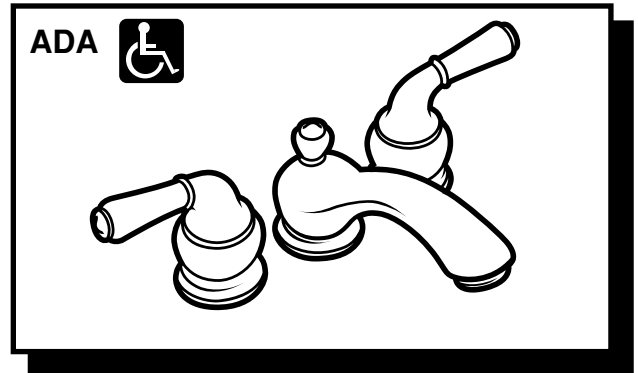
- 1224 cartridge design
- Nonmetallic and stainless steel material

STANDARDS

- Third party certified by CSA to meet CSA B-125, ASME A112.18.1M and all applicable requirements referenced therein and complies with the applicable requirements of ANSI A117.1
- Certified to ANSI/NSF 61/9
- Complies with California Proposition 65 and with the Federal Safe Water Drinking Act

WARRANTY

- Lifetime limited warranty against leaks, drips and finish defects to the original consumer purchaser
- 5 year warranty if used in commercial installations



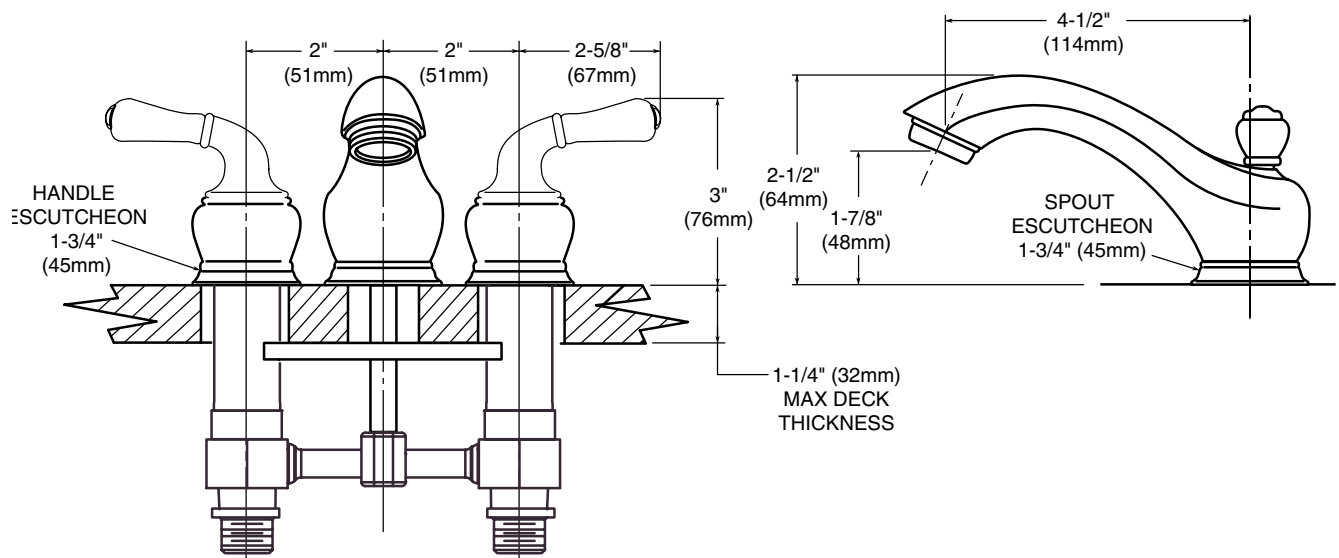
MONTICELLO® INSPIRATIONS™ Two-Handle Lavatory Faucet

Models: 4560, 4560CP, 4560P, 4560W, T4560, T4560CP, T4560P, T4560W, R4560, R4560P, R4560PM, R4560BP, R4560CG, R4560ST, RT4560, RT4560P, RT4560PM, RT4560BP, RT4560CG, RT4560ST
A4560, A4560P, A4560PM, A4560BP, A4560CG, A4560ST, 84220, 84220PM, 84224, 84226, 84230, 84230PM, 84230ST, 84232ST, 84234

Valve: 9300, 69300

NOTE: See reverse side for illustrated parts and handle options

NOTE: THIS FAUCET IS DESIGNED TO BE INSTALLED THRU 3 HOLES, 1-1/8" (29mm) MIN. DIA.



CRITICAL DIMENSIONS

(DO NOT SCALE)