

DESCRIPTION

- Metal construction with a chrome plated or decorative antique or LifeShine® polished brass
- 1/2" IPS connections
- Includes metal pop-up type waste assembly

OPERATION

- Knob style handle
- Pull-on/Push-off
- Temperature controlled through 180° degree arc of handle travel

FLOW

- Aerator is limited to 2.2 gpm max (8.3 L/min)

CARTRIDGE

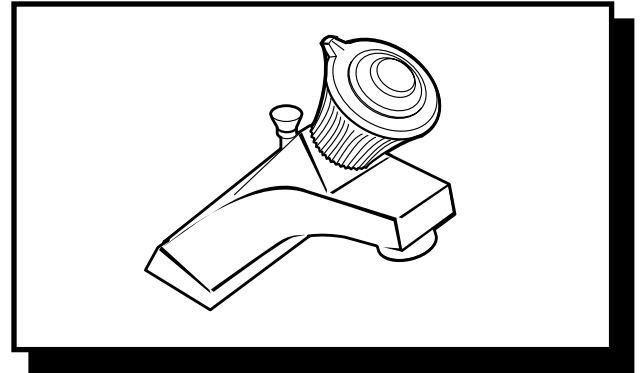
- 1225 cartridge design
- Nonmetallic/nonferrous and stainless steel material
- Can accommodate reversed piping and back to back installations

STANDARDS

- Third party certified by CSA to meet CSA B-125, ASME A112.18.1M and all applicable requirements referenced therein
- Certified to ANSI/NSF 61/9
- Complies with California Proposition 65 and with the Federal Safe Water Drinking Act

WARRANTY

- Lifetime limited warranty against leaks, drips and finish defects to the original consumer purchaser
- 5 year warranty if used in commercial installations

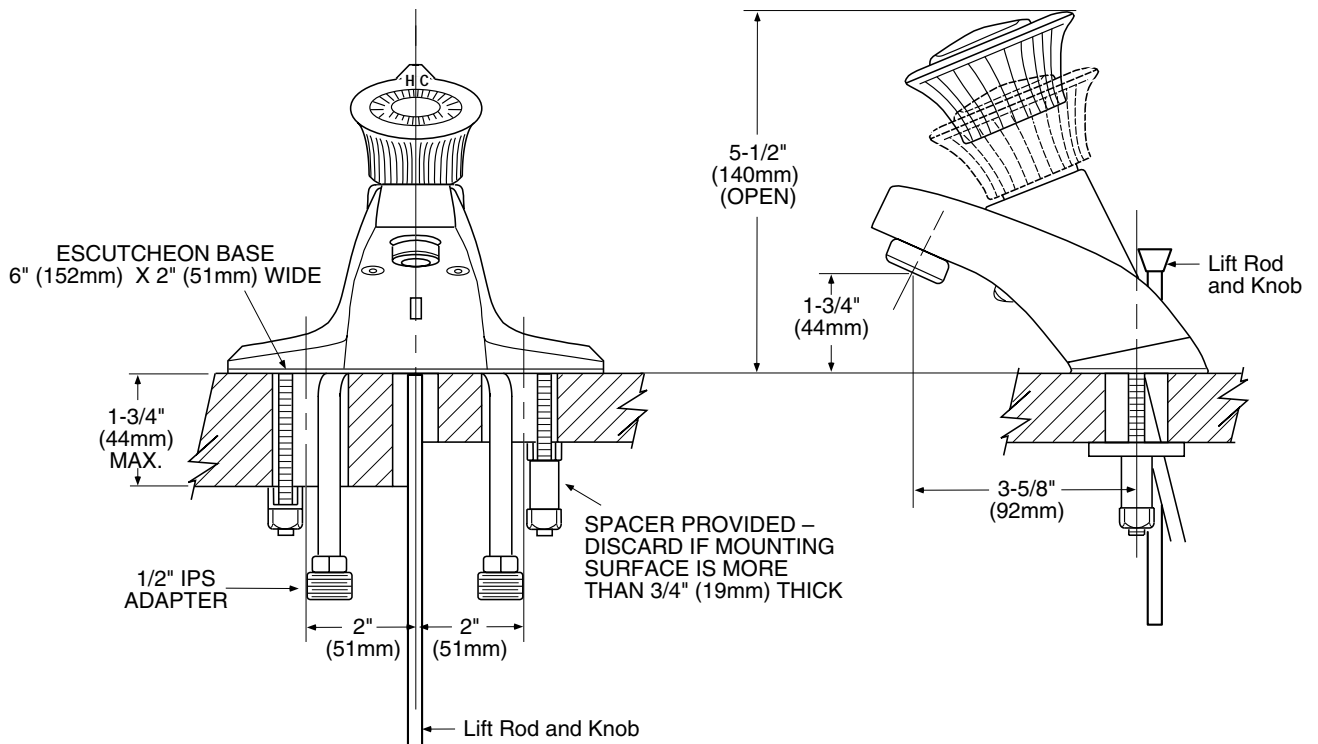


LEGEND® Single-Handle Lavatory Faucet with Metal Waste Assembly

Models: 4220, 4220A, 4220P

**NOTE: See reverse side
for illustrated parts**

**NOTE: THIS FAUCET IS DESIGNED
TO BE INSTALLED THRU
3-1" DIA. HOLES, 2" ON CENTER**



CRITICAL DIMENSIONS

(DO NOT SCALE)