

## DESCRIPTION

- Metal construction with a chrome plated, decorative glacier or LifeShine® polished brass finish
- Pressure balancing valve design with integral check stops, 1/2" CC connections
- Includes adjustable showerhead, arm, and flange

## OPERATION

- Lever style handle with temperature indicator on the escutcheon, pull-on/push-off operation
- Temperature operates through an 180° arc of handle travel (full cold to full hot)
- Adjustable temperature limit stop to control maximum hot water temperature
- Pressure balancing mechanism maintains selected discharge temperature to  $\pm 2^\circ$

## FLOW

- Showerhead is limited to 2.5 gpm (9.5 L/min)

## CARTRIDGE

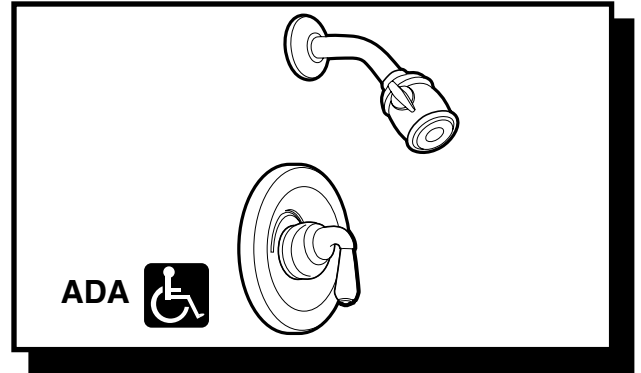
- 1225 cartridge design
- Nonmetallic/nonferrous and stainless steel materials
- Accommodates back to back installations

## STANDARDS

- Third party certified by CSA to meet CSA B-125, ASME A112.18.1M and all applicable requirements referenced therein and complies with the applicable requirements of ANSI A117.1

## WARRANTY

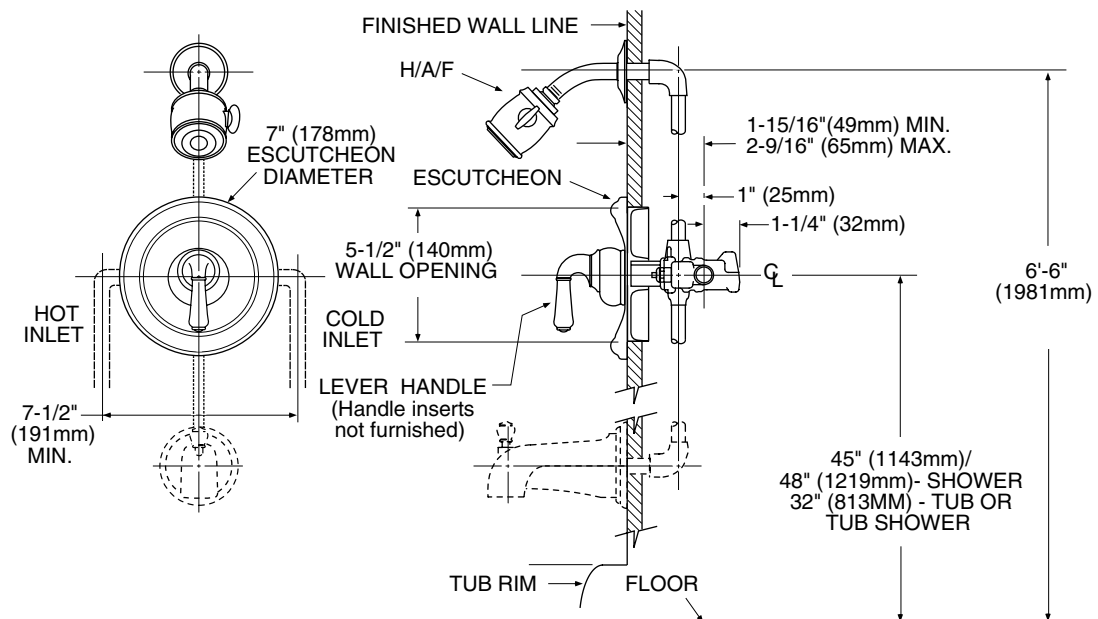
- Lifetime limited warranty against leaks, drips and finish defects to the original consumer purchaser
- 5 year warranty if used in commercial installations



## MONTICELLO® MOENTROL® Single-Handle Shower Valve

Models: 3125, 3125CP,  
3125P, 3125W

**NOTE: See reverse side for illustrated parts and optional handle inserts**



## CRITICAL DIMENSIONS

(DO NOT SCALE)



ADA symbol applies to shower valve control only.