

DESCRIPTION

- Metal construction with a chrome plated or LifeShine® polished brass or glacier finish
- 1/2" CC connections
- Pressure balancing valve with integral check stops
- Includes an adjustable temperature limit stop

OPERATION

- Concentrix knob style handle
- Temperature operates through an 180° arc of handle travel (full cold to full hot)
- Adjustable temperature limit stop to control maximum hot water temperature
- Pressure balancing mechanism maintains selected discharge temperature to $\pm 2^\circ$

CARTRIDGE

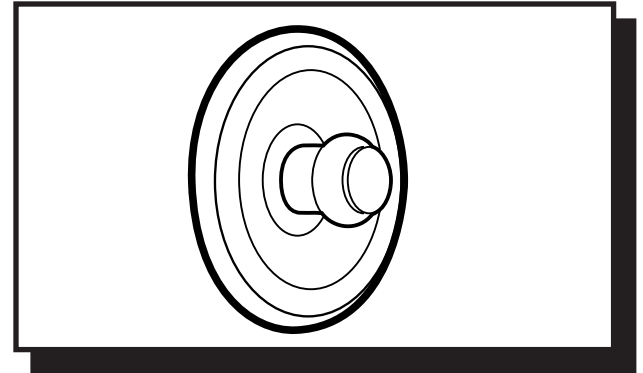
- 1225 cartridge design
- Nonmetallic and stainless steel materials
- Accommodates back to back installations

STANDARDS

- Third party certified by CSA B-125, ASME A112.18.1M and all applicable requirements referenced therein

WARRANTY

- Lifetime limited warranty against leaks, drips and finish defects to the original consumer purchaser
- 5 year warranty if used in commercial installations

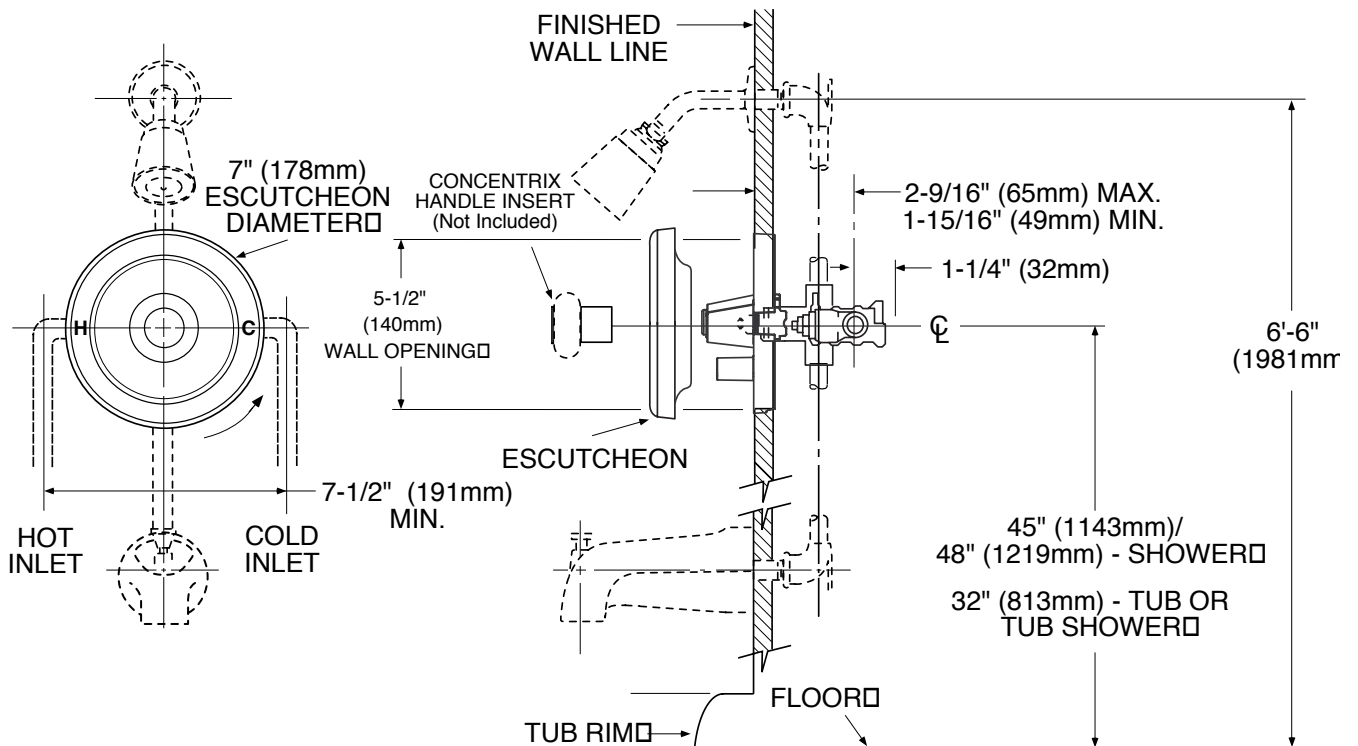


CONCENTRIX® MOENTROL®
Single-Handle Tub/Shower Valve Only

**Models: 3100, 3100P,
*3100W, *3105**

***Models Discontinued 2/1/2000**

NOTE: See reverse side for illustrated parts and optional handle inserts



CRITICAL DIMENSIONS

(DO NOT SCALE)