

DESCRIPTION

- Metal construction with LifeShine® polished brass, sand or glacier finish
- 1/2" CC connections
- Includes adjustable showerhead, arm, flange and diverter tub spout

OPERATION

- Acrylic knob handle
- Pull-on/push-off design
- Allows control of both temperature selection and volume with a single handle

FLOW

- Showerhead is limited to 2.5 gpm (9.5 L/min)

CARTRIDGE

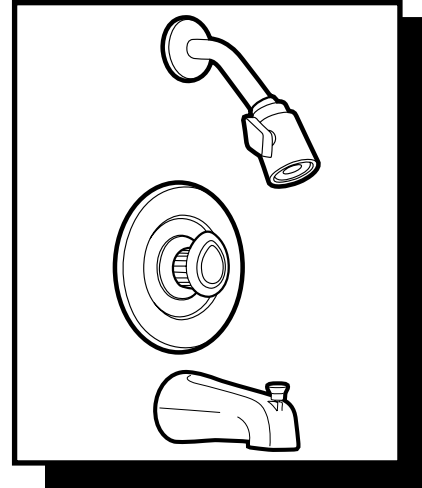
- 1225 cartridge design
- Nonmetallic/nonferrous and stainless steel materials
- Accommodates back to back installations

STANDARDS

- Third party certified by CSA to meet CSA B-125 and ASME A112.18.1M and all applicable requirements referenced therein

WARRANTY

- Lifetime limited warranty against leaks, drips and finish defects to the original consumer purchaser
- 5 year warranty if used in commercial installations

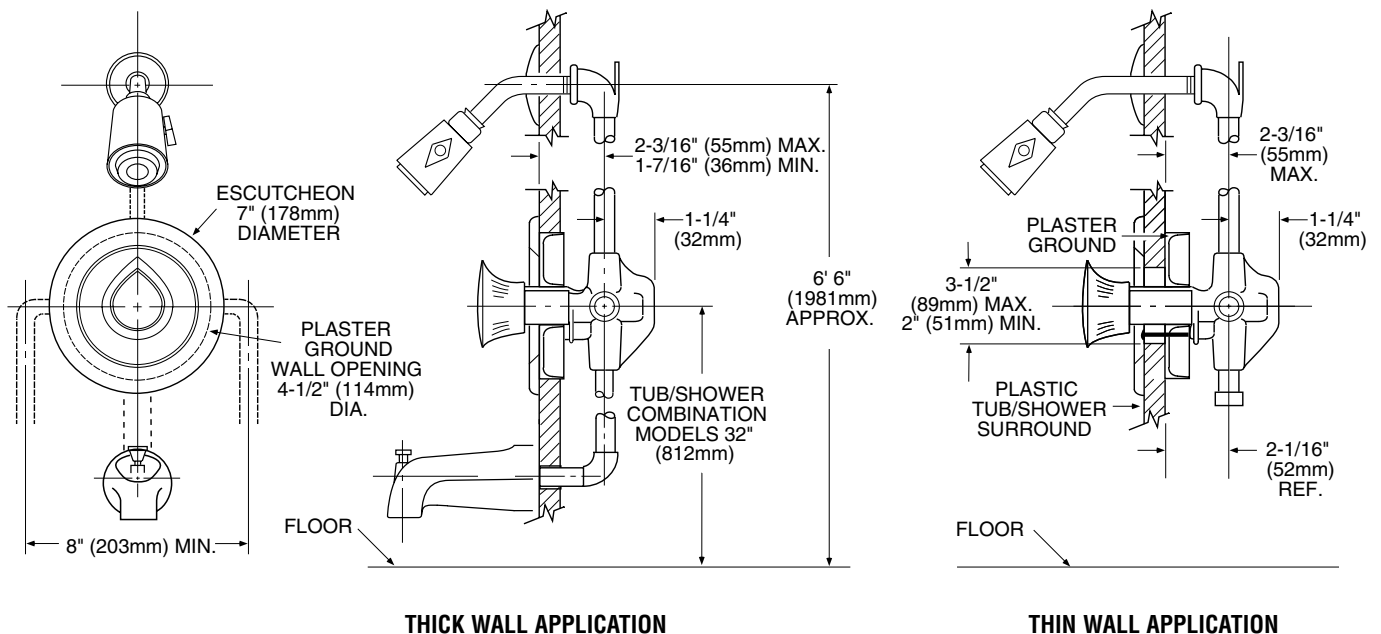


CHATEAU®

Single-Handle Tub/Shower Valve

Models: 2739P, *2739S, *2739W
* Models Discontinued - 2/1/2000

NOTE: See reverse side for illustrated parts



CRITICAL DIMENSIONS

(DO NOT SCALE)