

## DESCRIPTION

- Metal construction with chrome plating, chrome with LifeShine® polished brass accents, LifeShine® polished brass, platinum or glacier finish
- Pressure balancing cycle valve design with an adjustable temperature limit stop
- 1/2" IPS connections
- Includes showerhead, arm, flange, and diverter tub spout

## OPERATION

- Knob style handle
- Handle operates counterclockwise through a 270° arc with off at 6 o'clock and maximum hot at the 9 o'clock position. Shut off in clockwise direction
- Adjustable temperature limit stop to control maximum hot water temperature
- Pressure balancing mechanism maintains selected discharge temperature to  $\pm 2^\circ$

## FLOW

- Showerhead is limited to 2.5 gpm (9.5 L/min)

## CARTRIDGE

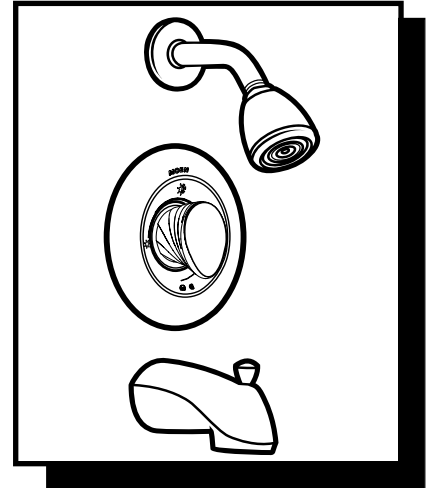
- 1222 cartridge design
- Nonmetallic/nonferrous and stainless steel materials
- Accommodates back to back installations

## STANDARDS

- Third party certified by CSA to meet CSA B-125, ASME A112.18.1M and all applicable requirements referenced therein and complies with the applicable requirements of ANSI A117.1

## WARRANTY

- Lifetime limited warranty against leaks, drips and finish defects to the original consumer purchaser
- 5 year warranty if used in commercial installations

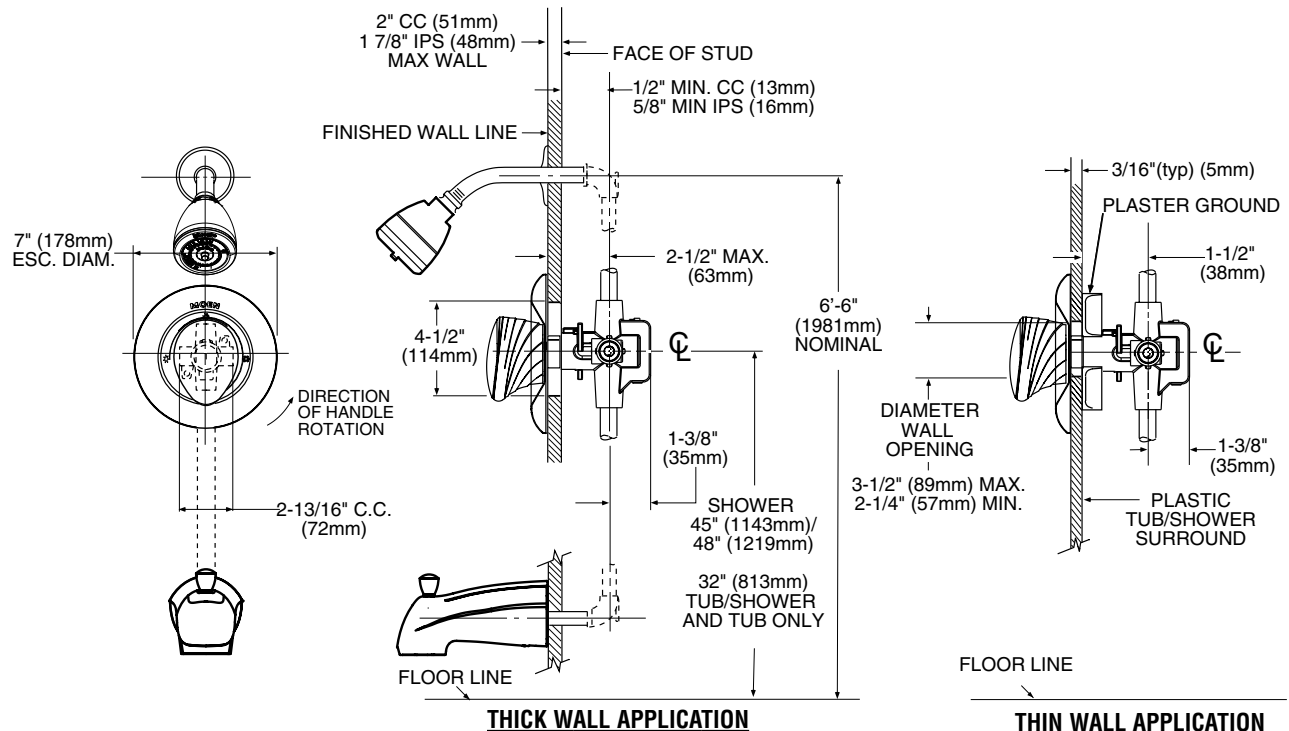


### Villeta™ Posi-Temp® Single-Handle Chrome Tub/Shower

**Model: 2383, 82383, 82383CP, \*82383P,  
82383PM, 82383W**

**\*Model Discontinued 1/31/2001**

**NOTE: See reverse side  
for illustrated parts**



## CRITICAL DIMENSIONS

(DO NOT SCALE)