

## DESCRIPTION

- Chrome plated metal construction and LifeShine® Polished Brass finish
- Single handle, pressure balancing, four port, cycle valve
- 1/2" IPS connections with 1/4 turn stops

## OPERATION

- Knob style handle
- Handle operates counterclockwise through a 270° arc with off at 6 o'clock and maximum hot at the 9 o'clock position. Shut off in clockwise direction
- Adjustable temperature limit stop to control maximum hot water temperature
- Pressure balancing mechanism maintains selected discharge temperature to  $\pm 2^\circ$

## CARTRIDGE

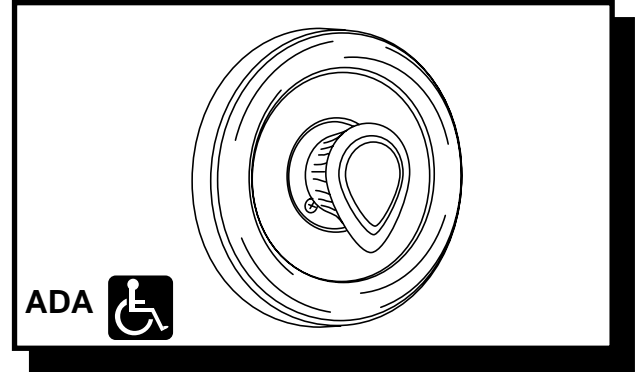
- 1222 cartridge design
- Accommodates back to back installations
- Nonmetallic/nonferrous and stainless steel material

## STANDARDS

- Third party certified by CSA to meet CSA B-125, ASME A112.18.1M and all applicable requirements referenced therein and complies with the applicable requirements of ANSI A117.1

## WARRANTY

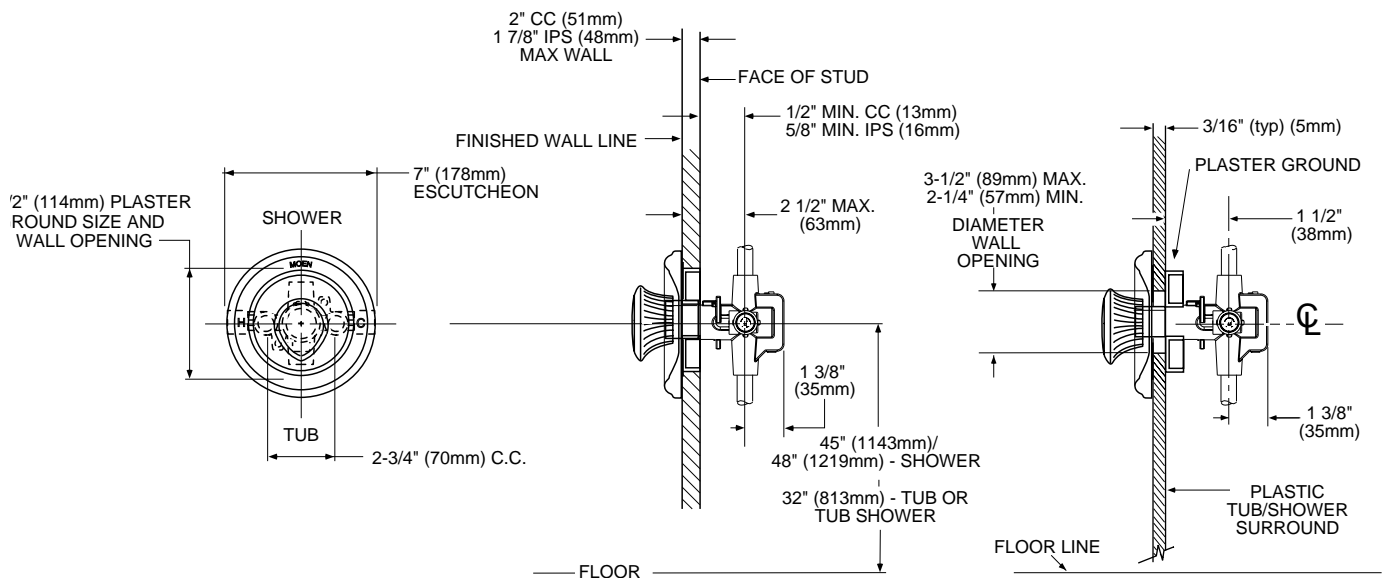
- Lifetime limited warranty against leaks, drips and finish defects to the original consumer purchaser
- 5 year warranty if used in commercial installations



## CHATEAU® POSI-TEMP® Single-Handle Tub/Shower Valve Only

Model: 2364, 2364P

NOTE: See reverse side  
for illustrated parts



## CRITICAL DIMENSIONS

(DO NOT SCALE)