

DESCRIPTION

- Metal construction with a chrome plated or LifeShine® polished brass finish
- Single handle, pressure balancing, four port, cycle valve
- 1/2" CC connections

OPERATION

- Acrylic knob style handle
- Handle operates counterclockwise through a 270° arc with off at 6 o'clock and maximum hot at the 9 o'clock position. Shut off in clockwise direction
- Adjustable temperature limit stop to control maximum hot water temperature
- Pressure balancing mechanism maintains selected discharge temperature to $\pm 2^\circ$

CARTRIDGE

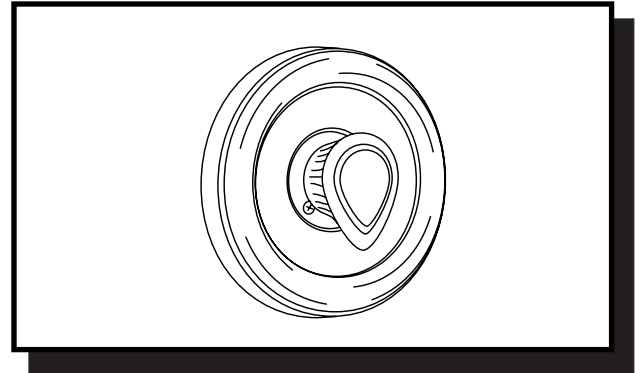
- 1222 cartridge design
- Nonmetallic/nonferrous and stainless steel materials
- Accommodates back to back installations

STANDARDS

- Third party certified by CSA to meet CSA B-125, ASME A112.18.1M and all applicable requirements referenced therein

WARRANTY

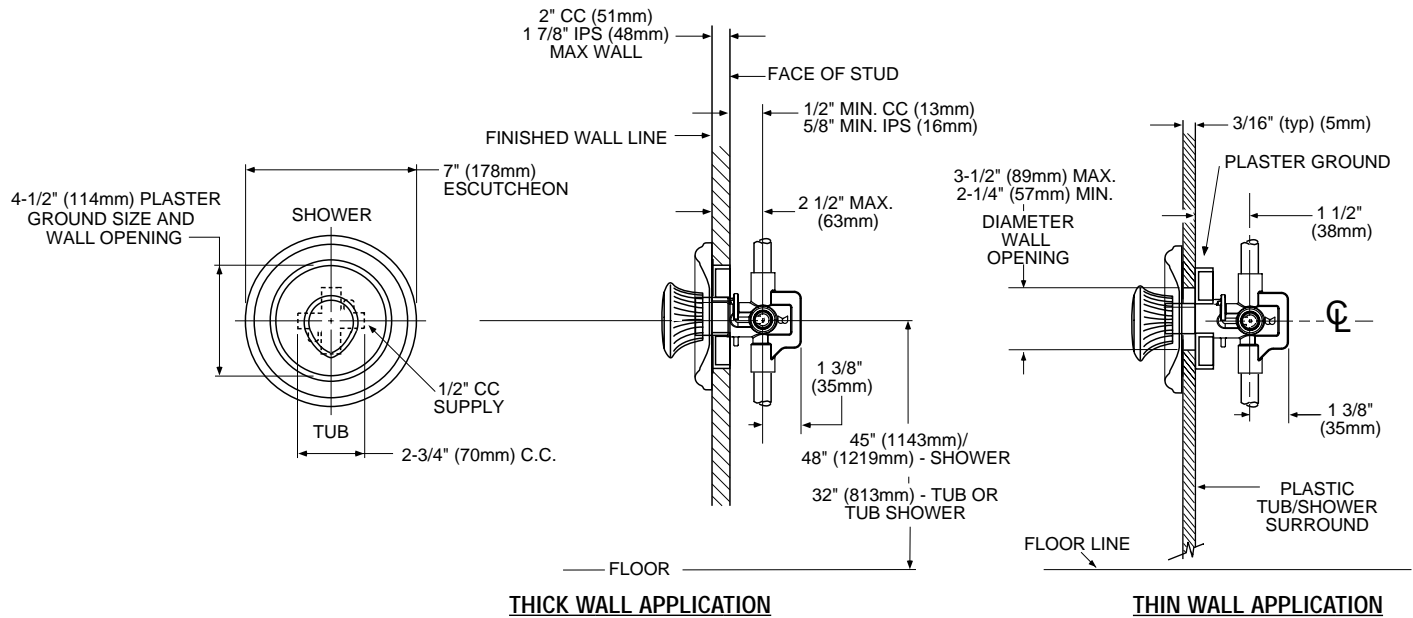
- Lifetime limited warranty against leaks, drips and finish defects to the original consumer purchaser
- 5 year warranty if used in commercial installations



CHATEAU® POSI-TEMP®
Single-Handle Tub/Shower Valve Only

Models: 2351, 2351P

**NOTE: See reverse side
for illustrated parts**



CRITICAL DIMENSIONS

(DO NOT SCALE)