

## DESCRIPTION

- Includes handshower, hose, and bracket
- Various finishes identified by suffix
- 60" double interlock spiral chrome hose (metal), for Chrome and Spot Resist Brushed Nickel finishes only
- 1/2" IPS connection

## OPERATION

- Five functions
- Rotate outer ring to select function

## FLOW

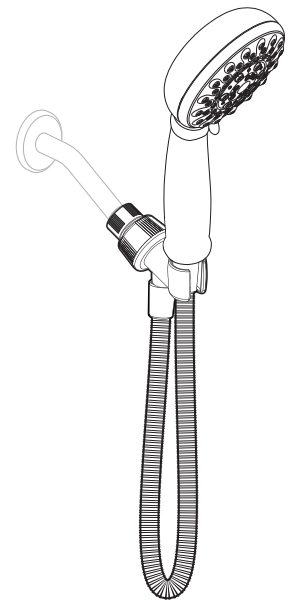
- Designed to deliver 1.75 gpm (6.6 L/min)  
*(for models manufactured after 3/1/18)*
- Designed to deliver 2.0 gpm (7.6 L/min)  
*(for models manufactured before 3/1/18)*

## STANDARDS

- Third party certified at WaterSense®, ASME A112.18.1/CSA B-125.1, and all applicable specifications referenced therein
- Products marked with 1.75 gpm are compliant with California water efficiency regulations

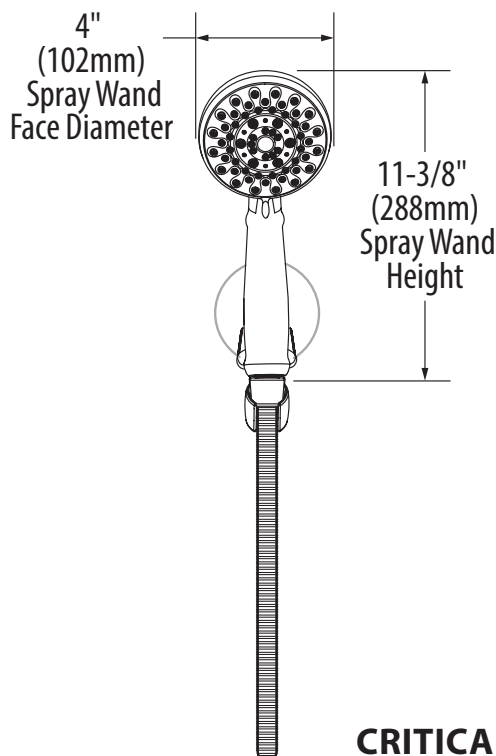
## WARRANTY

- Lifetime limited warranty against material or manufacturing defects to the original homeowner
  - 10 year limited warranty when used in a multifamily installation
  - 5 year limited warranty when used in a commercial installation
- Visit [www.moen.com/support](http://www.moen.com/support) for the complete details and limitations



**Banbury™**  
**5-Function Handshower**  
**with Bracket & Hose**

**Model: 23046 series**



## CRITICAL DIMENSIONS

(DO NOT SCALE)

