

There is more than 1 version of this model.  
Page down to identify the version you have.



Model Number	Faucet Holes	Depth-Inches	Drain Placement
22128	2	7"	Center

### SINK DESCRIPTION

- Commercial classroom single bowl drop in sink
- 20 gauge stainless steel
- Includes all necessary mounting hardware
- SoundSHIELD™ sound absorbing system

### WARRANTY

- Lifetime limited warranty to the original homeowner
- 10 year limited warranty when used in a Multi-family installation
- 5 year limited warranty when used in a Commercial installation
- Visit [www.moen.com/customer-support/warranty](http://www.moen.com/customer-support/warranty) for complete details and limitations

**(FOR SINKS MANUFACTURED AFTER 9/1/2016)**

### SINK DIMENSIONS

- Overall: 24" x 20-5/16"
- Bowl: 16" x 14"
- Drain Size: 3-1/2"

### CUT OUT DIMENSIONS

- 23-1/2" x 19-13/16" with 1/2" corner radius, tolerance of plus or minus 1/16" is acceptable

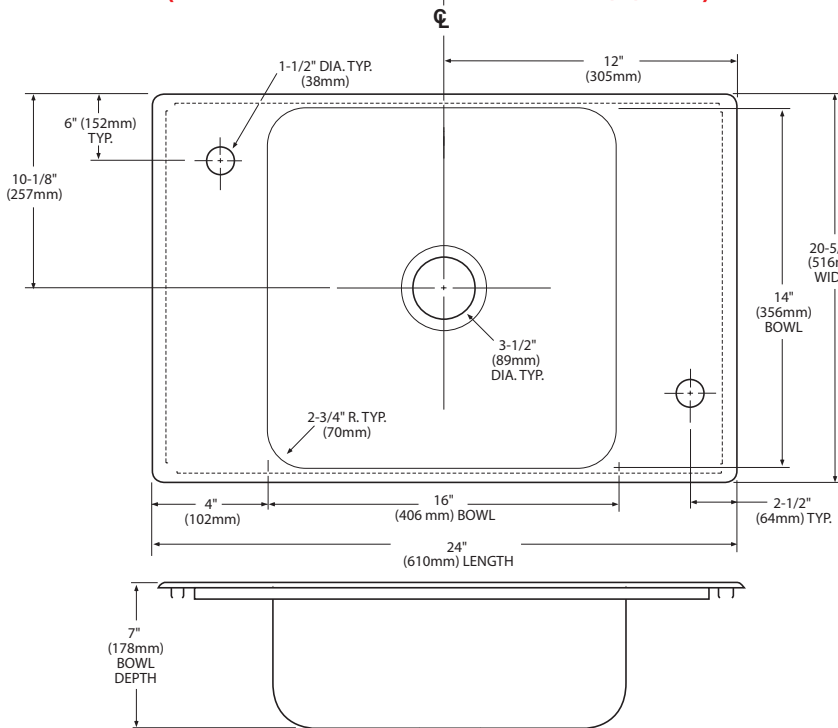
### STANDARDS

- Third party certified to meet ASME A112.19.3/CSA B45.4 and all applicable specifications referenced therein

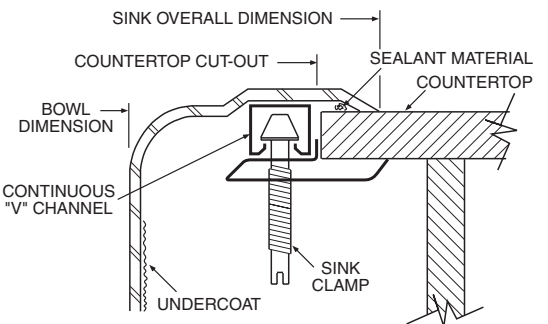
## CRITICAL DIMENSIONS

(DO NOT SCALE)

**(FOR SINKS MANUFACTURED AFTER 9/1/2016)**



### Installation Detail



**MADE IN THE USA**



Model Number	Faucet Holes	Depth-Inches	Drain Placement
22128	2	7"	Center

### SINK DESCRIPTION

- Commercial classroom single bowl drop in sink
- 20 gauge stainless steel
- Includes all necessary mounting hardware
- SoundSHIELD™ sound absorbing system

### WARRANTY

- Lifetime limited warranty to the original homeowner
- 10 year limited warranty when used in a Multi-family installation
- 5 year limited warranty when used in a Commercial installation
- Visit [www.moen.com/customer-support/warranty](http://www.moen.com/customer-support/warranty) for complete details and limitations

**(FOR SINKS MANUFACTURED BEFORE 9/1/2016)**

### SINK DIMENSIONS

- Overall: 24" x 17"
- Bowl: 16" x 14"
- Drain Size: 3-1/2"

### CUT OUT DIMENSIONS

- 23-1/2" x 16-1/2" with 3/8" corner radius, tolerance of plus or minus 1/16" is acceptable

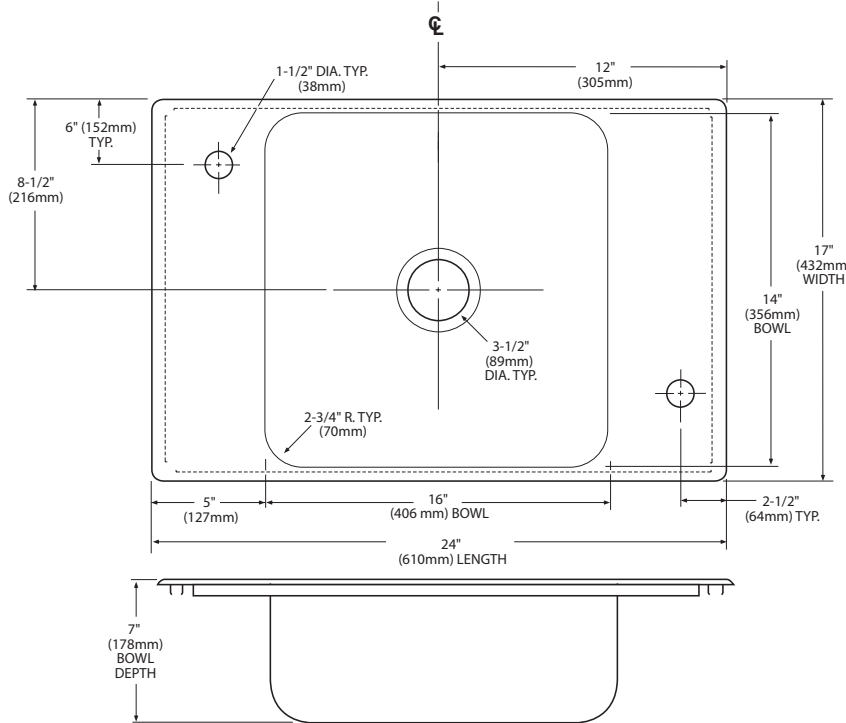
### STANDARDS

- Third party certified to meet ASME A112.19.3/CSA B45.4 and all applicable specifications referenced therein

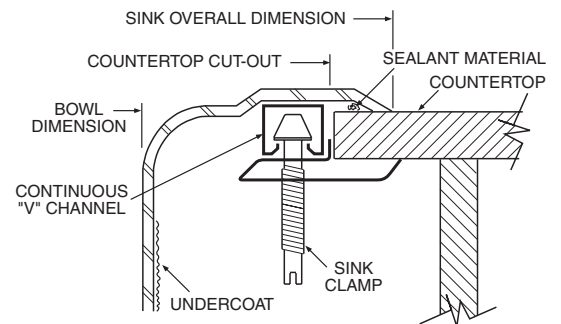
## CRITICAL DIMENSIONS

(DO NOT SCALE)

**(FOR SINKS MANUFACTURED BEFORE 9/1/2016)**



### Installation Detail



**MADE IN THE USA**