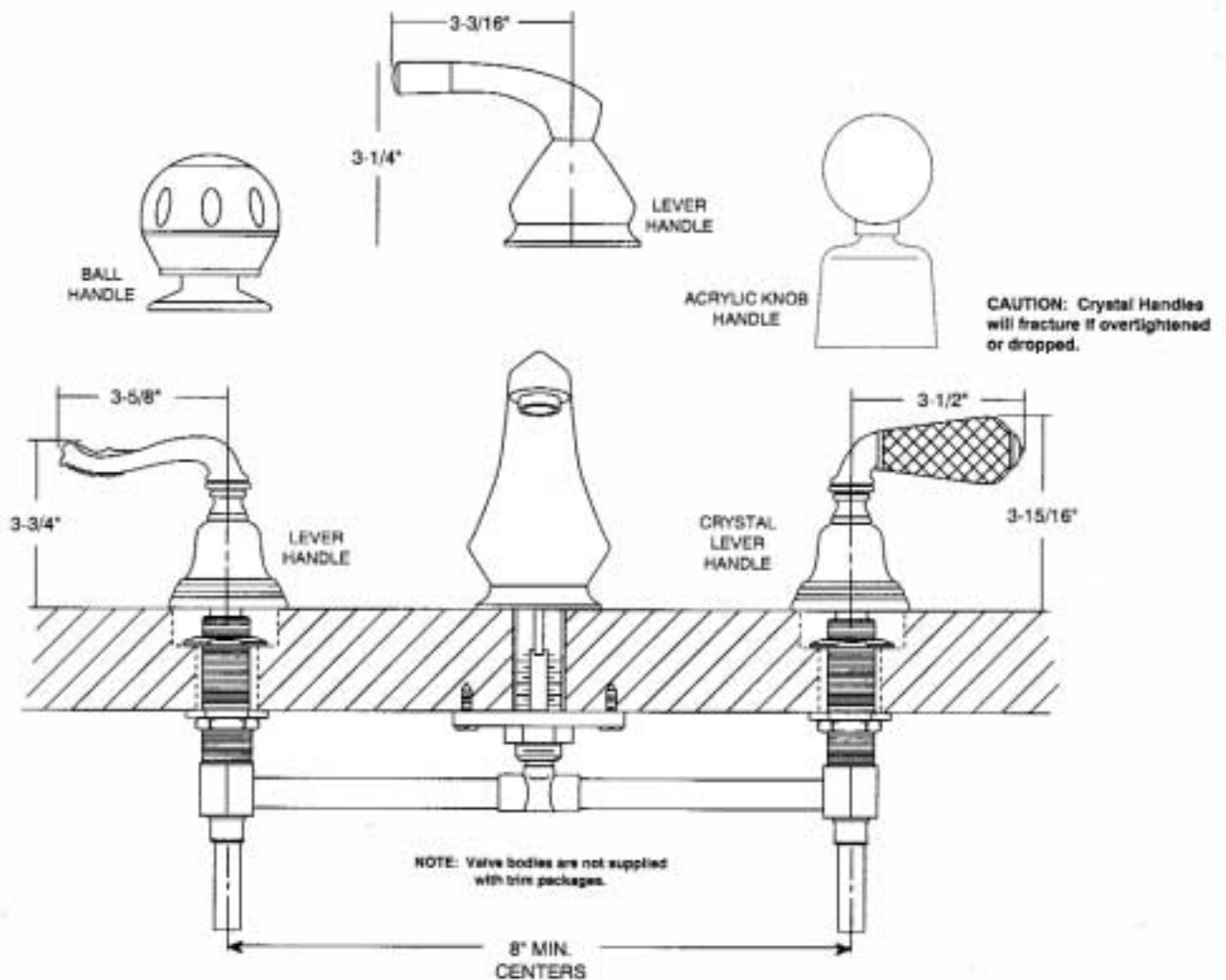
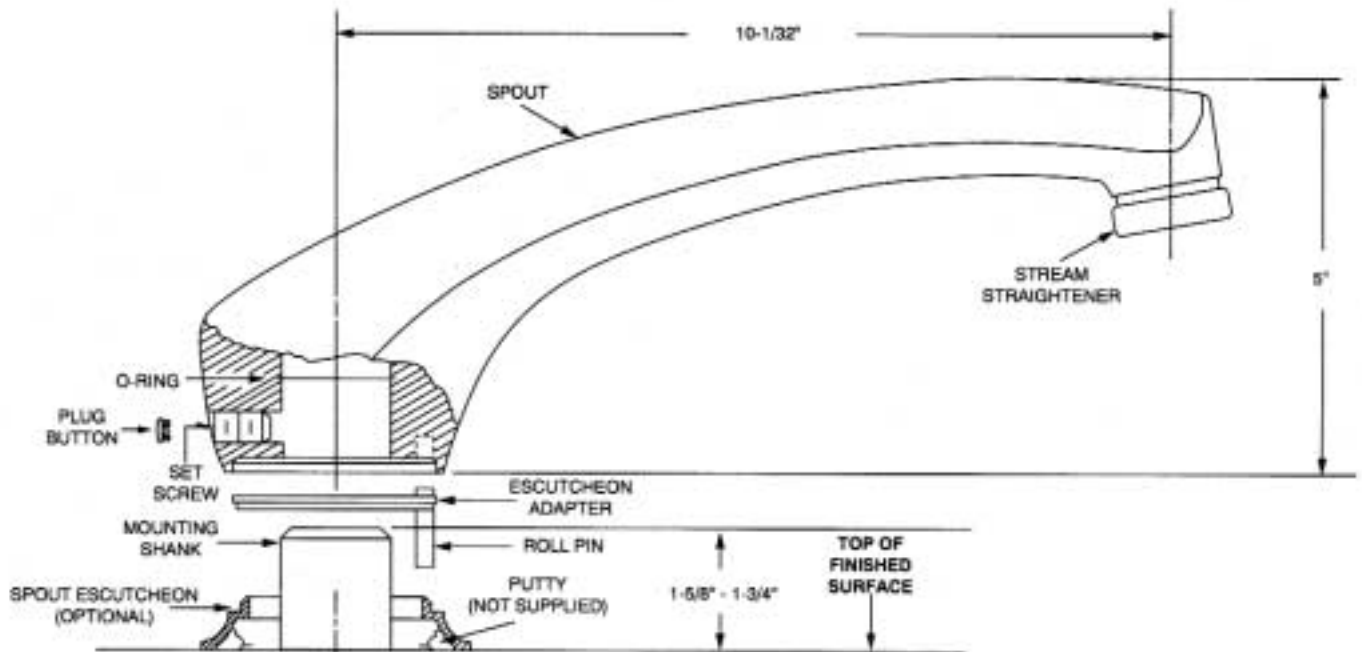


MOEN[®]**INSTALLATION INSTRUCTIONS***THESE INSTRUCTIONS MUST BE
LEFT WITH HOME OWNER***TRIM PACKAGE - LEVER HANDLES
DECK-MOUNT WIDESPREAD ROMAN TUB**

CAUTION: Always turn water OFF before disassembling faucet. Open faucet handles to relieve water pressure and to insure that COMPLETE water shut-off has been accomplished.

Before turning water on, during either rough-in or trim out, make sure that cartridge retainer nuts are in place. The cartridge and cartridge retainer nuts were properly installed and tested before leaving the factory. Although it is unlikely, it is nevertheless possible that through the handling of the faucet by any number of persons the cartridge retainer nuts may not be properly installed. This should be carefully checked at time of rough-in and trim-out. If the cartridge retainer nuts are not properly installed, water pressure could force the cartridge out of the faucet body. Personal injury or water damage to the premises could result.

Tub Spout Installation



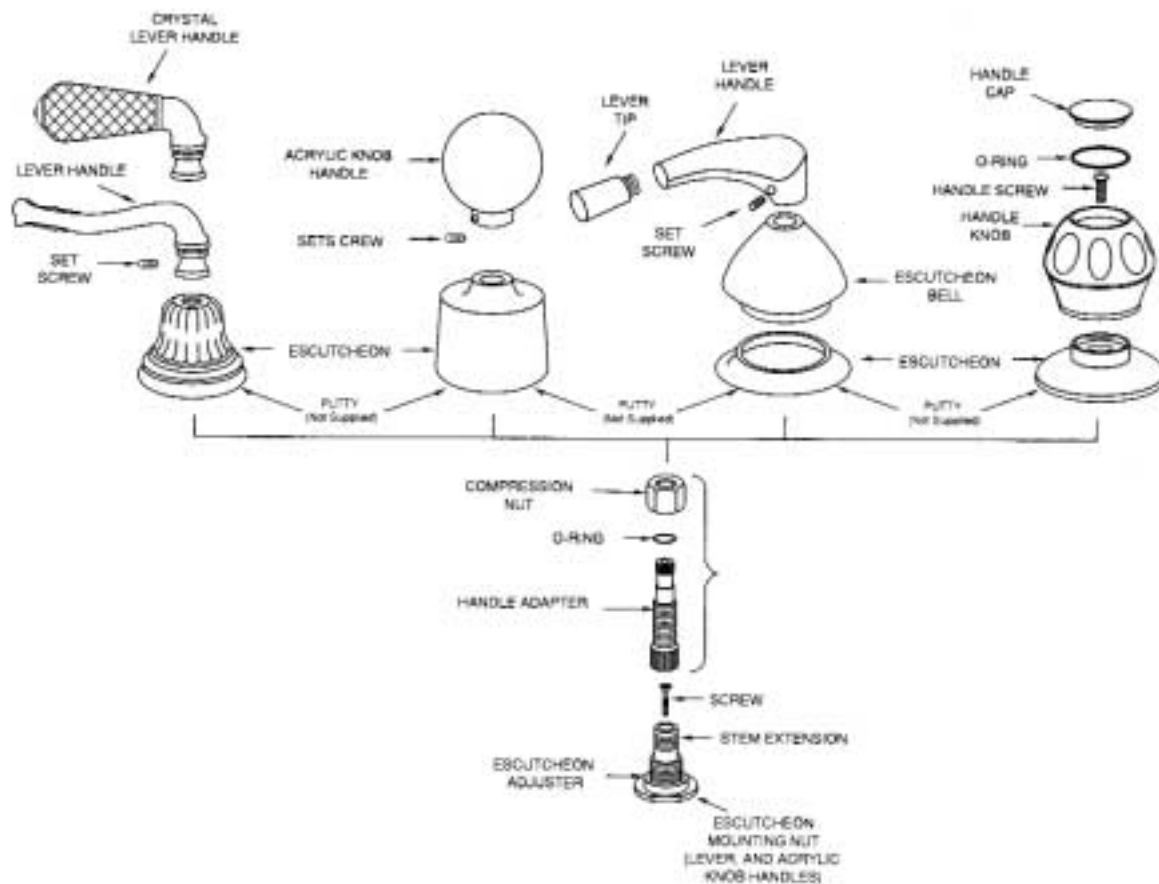
OPEN TRIM PACKAGE AND CHECK TO SEE THAT ALL PARTS FOR THE TUB FILLER INSTALLATION HAVE BEEN ENCLOSED:

- | | |
|----------------------|-----------------------------------------------------------|
| 2 compression nuts | 2 handle set screws or 2 handle screws (knob handle only) |
| 2 O-rings | 2 handle caps with o-rings (knob handle only) |
| 2 handle adapters | 1 roll pin |
| 1 spout | 2 handle assemblies |
| 1 spout escutcheon | 2 escutcheons or |
| 1 spout set screw | 2 bell escutcheons with 2 escutcheon bases. |
| 1 escutcheon adapter | |
| 1 spout plug button | |

1. Carefully measure shank from finished top surface. **Cut the shank to a minimum of 1-5/8" to a maximum of 1-3/4" above finished surface** (a hack-saw or a tube cutter is recommended). Remove burrs and bevel the end of spout shank after cutting, failure to do so may result in damaged spout o-ring.
2. Install set screw into tub spout.
3. Apply 3/8" bead of plumbers putty (not furnished) on the finished tub base around the mounting shank.
4. Install roll pin into base of tub spout. **CAUTION: SEE TEMPLATE ON PAGE 4 FOR ROLL PIN LOCATION.** Drill a 7/32" hole into tub base. Install tub spout with roll pin installed onto mounting shank. Press down until it becomes flush with finished tub base.
5. With the tub spout and roll pin in position, tighten set screw with hex wrench and install plug button.

Trim

MAKE SURE WATER SUPPLIES ARE OFF:



SEE ILLUSTRATIONS FOR ESCUTCHEON ADJUSTMENT ON BACK PAGE.

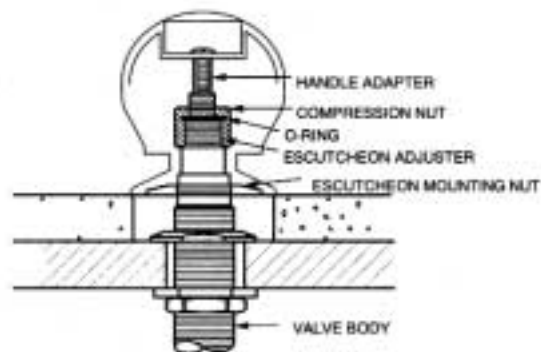
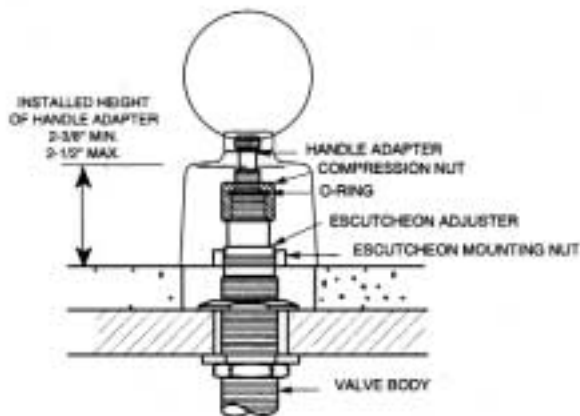
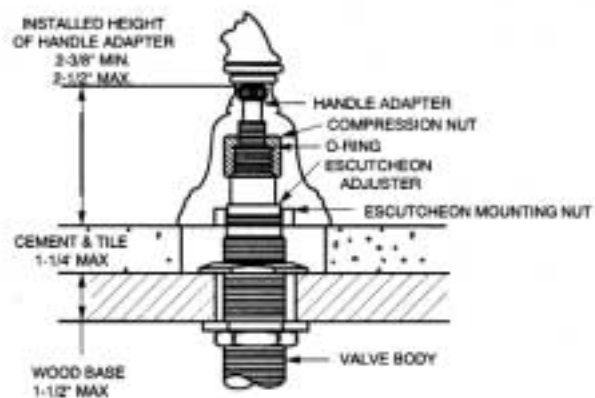
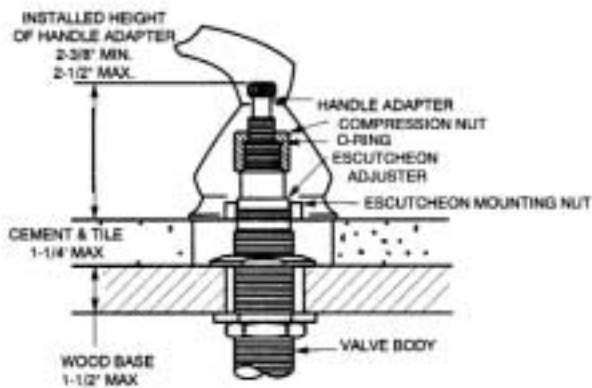
1. Screw the escutcheon mounting nut onto the escutcheon adjuster.
2. Install handle adapter, O-ring and compression nut.
3. Screw the escutcheon onto the escutcheon mounting nut.
4. Adjust O-ring position on handle adapter to fit installation. Test fit with handle on stem.
5. Place handle on handle adapter in desired position (lever handles). Allowing 1/64" clearance between handle and escutcheon, and tighten set screw or handle screw in handle. If handle rotation is reversed, remove screw and turn stem extension stop 180° and re-install (lever handles only).

Installation is complete. Faucet flushing is required.

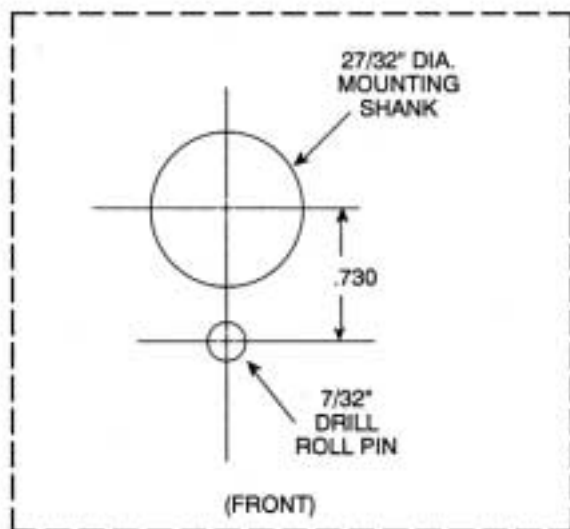
Flushing

IMPORTANT: Pipe chips, sand, stones, and other solid objects in new and renovated plumbing can damage the sealing surface of the faucet cartridge and cause a leak. To avoid damage, DO NOT TURN ON SUPPLY VALVES until instructed below:

1. After installing and connecting your new faucet, open both hot and cold cartridges.
2. Turn on both hot and cold water supply valves and allow the water to run for 15 seconds.
3. Turn off the hot and cold cartridges, unscrew the stream straightener and remove any debris.
4. Replace the stream straightener and check the system for leaks..



For proper escutcheon adjustment, place O-ring onto handle adapter FIRST. Then HAND TIGHTEN compression nut.



TEMPLATE FOR ROLL PIN LOCATION

HELPLINE: Call our toll free Helpline number:



(800) 321-6636

for answers to any product, installation, replacement parts, or warranty questions.





HI FLOW WIDESPREAD ROMAN TUB

ROUGH-IN INSTALLATION DIRECTIONS

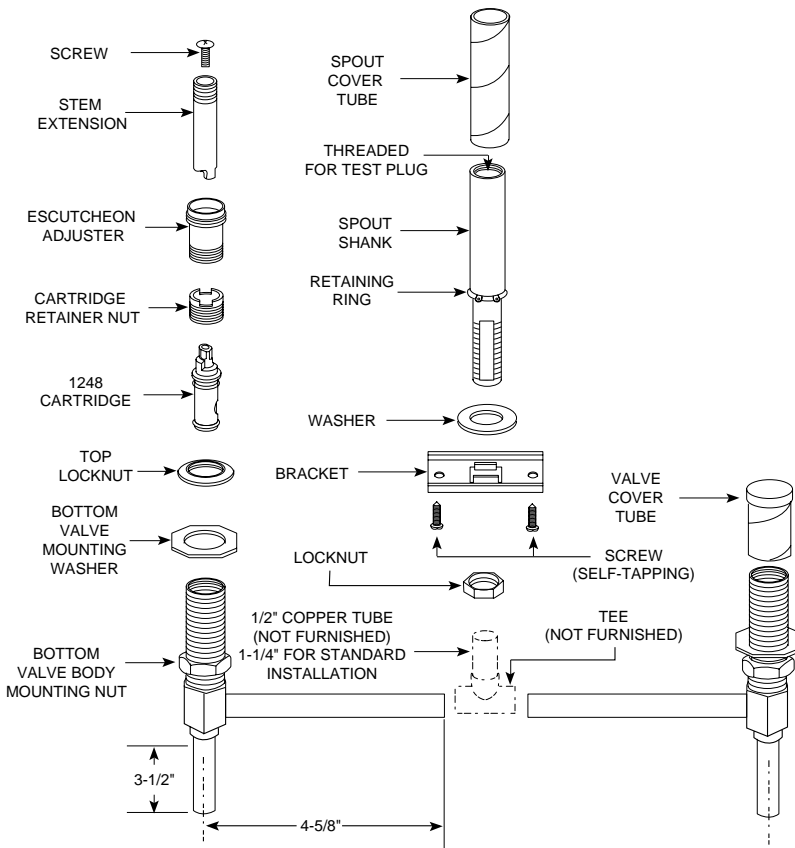
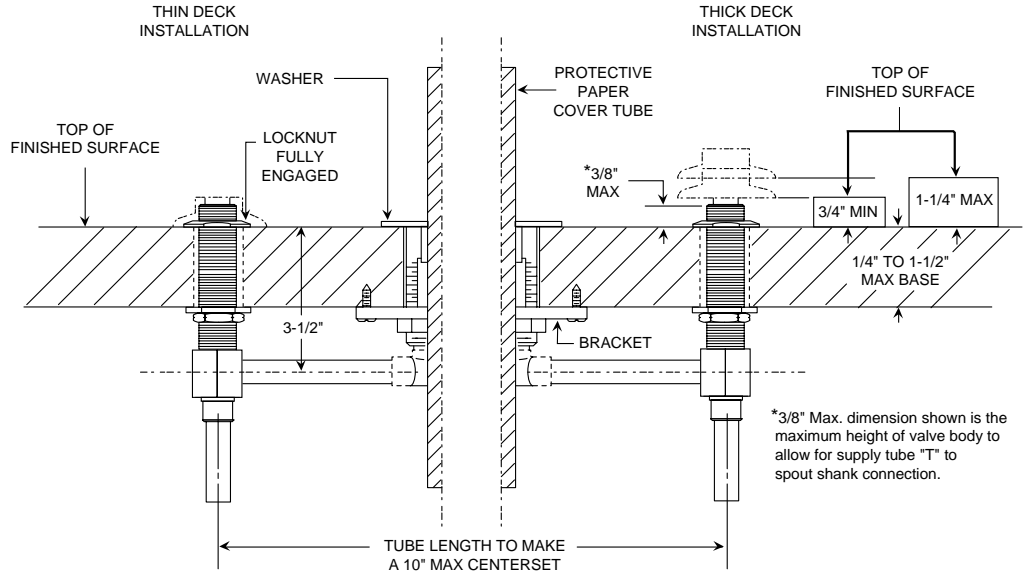
CAUTION: Always turn water OFF before disassembling faucet. Open faucet handles to alleviate water pressure to insure that **COMPLETE** water shut-off has been accomplished.

Before turning water on, during either rough-in or trim out, make sure that cartridge retainer nuts are in place. The cartridge and cartridge retainer nuts were properly installed and tested before leaving the factory. Although it is unlikely, it is nevertheless possible that through the handling of the faucet by any number of persons the cartridge retainer nuts may not be properly installed. This should be carefully checked at time of rough-in and trim-out. If the cartridge retainer nuts are not properly installed, water pressure could force the cartridge out of the faucet body. Personal injury or water damage to the premises could result.

GENERAL INFORMATION

NOTE: When top of valve body is flush with top mounting nut, valve body outlet ports will be 3-1/2" below deck. Valve top locknuts and spout retaining ring washer are to be on the same plane.

- LOCKNUT DIA. 1-5/8"
- ESCUTCHEON DIA. 1-7/8" or 2-1/2"
- VALVE BODY DIA. 1-1/8"
- SPOUT SHANK DIA. 27/32"
- VALVE BODY LOWER MOUNTING WASHER DIA. 1-3/4"
- SPOUT SHANK TOP MOUNTING WASHER DIA. 1-5/8"



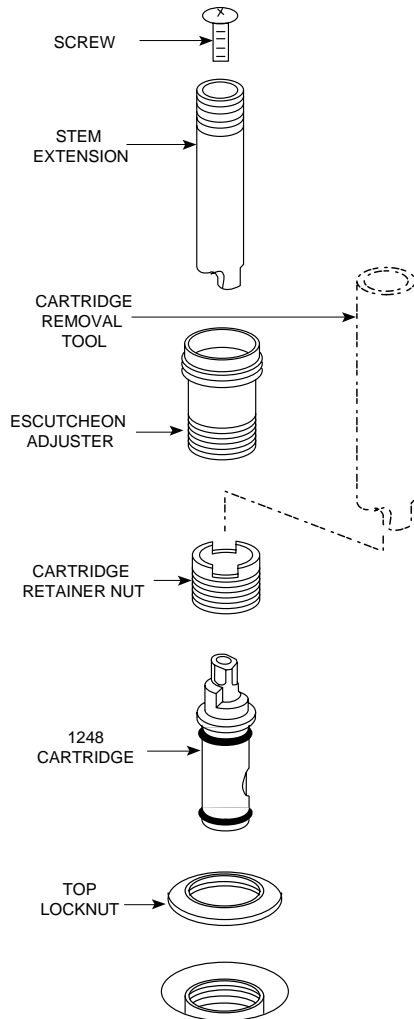
TO INSTALL VALVE BODIES

1. Turn valve mounting nuts all the way down on valve bodies for tub base clearance. Drop one mounting washer on each side.
2. Slide valve bodies up through mounting holes and fasten front above temporarily with top locknut. Slide washer on spout shank under retaining ring and put shank through center hole of deck. Install bracket and mounting hardware.
3. Measure supply tubes on valve bodies to connecting tee (not furnished). Measure tube (not furnished) from tee to spout shank. Cut them to suit.
4. With valve bodies, tee, and spout tube assembled and properly aligned, hand tighten and solder where required.
5. Make final tightening of valve bodies and spout shank from below.
6. Connect supply lines with 1/2" copper fittings (not furnished).
7. Install a test plug (not furnished) in spout shank.
8. Test installation for leaks.
9. Remove test plug from spout shank and proceed to install trim.

TO DISASSEMBLE VALVE:

CAUTION: SHUT OFF HOT AND COLD WATER SUPPLIES AND OPEN FAUCET HANDLES TO ALLEVIATE WATER PRESSURE AND INSURE THAT COMPLETE WATER SHUT-OFF HAS BEEN ACCOMPLISHED.

1. Remove stem extension, screw, and stem extension.
2. Remove escutcheon adjuster.
3. Using cartridge removal tool (not supplied), unscrew and remove cartridge retainer.
4. Replace stem extension and screw. Grasp stem extension, being careful not to damage threads, pull straight upward removing cartridge.

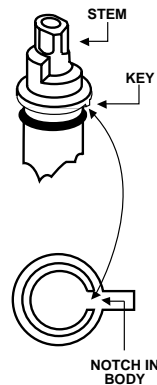


TO ASSEMBLE VALVE:

CAUTION: FAILURE TO FOLLOW THESE INSTRUCTIONS CAN CAUSE A FAULTY INSTALLATION OR DAMAGE THE NEW CARTRIDGE.

1. Drop stem extension with cartridge attached into valve body, press down until it bottoms.
2. Slowly rotate stem extension clockwise while still pressing down. This will align the "KEY" on the cartridge with the "NOTCH" in the valve body. When the key enters the notch you will feel it drop in, then the cartridge will be in place. To be certain, rotate the stem extension clockwise and then counterclockwise. You should feel the cartridge stop in both directions. If so, the cartridge is in place. Do not turn on water yet.
3. Using a cartridge removal tool (not supplied), reinstall cartridge retainer nut until it bottoms (DO NOT CROSS THREAD).
4. Reinstall escutcheon adjuster.

You are now ready to turn on the water. Check complete system for leaks.



HELPLINE: Call our toll free Helpline number:



(800) 321-6636

for answers to any product, installation, replacement parts, or warranty questions.

