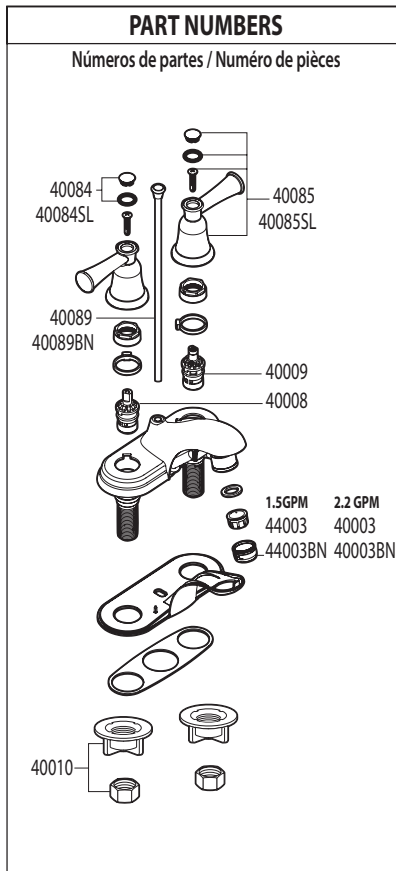
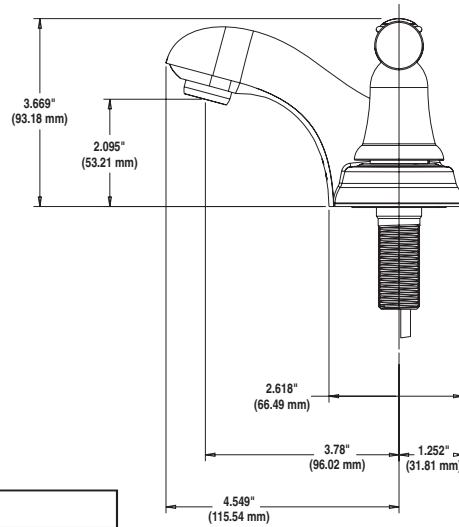
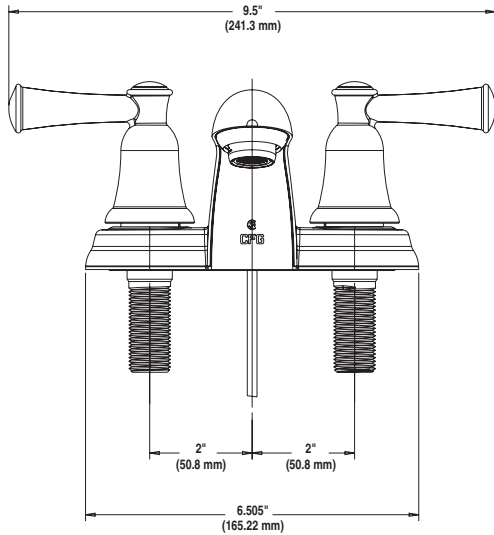




A Moen Incorporated Brand

CRITICAL DIMENSIONS

- Note: This faucet is designed to be installed through 3 holes, 1" minimum diameter, 4" centers
- Maximum deck thickness 0.875" (22.2 mm)



41213 Series